

DIP switch

6P

FEATURES:

Electrical life 2,000 operations

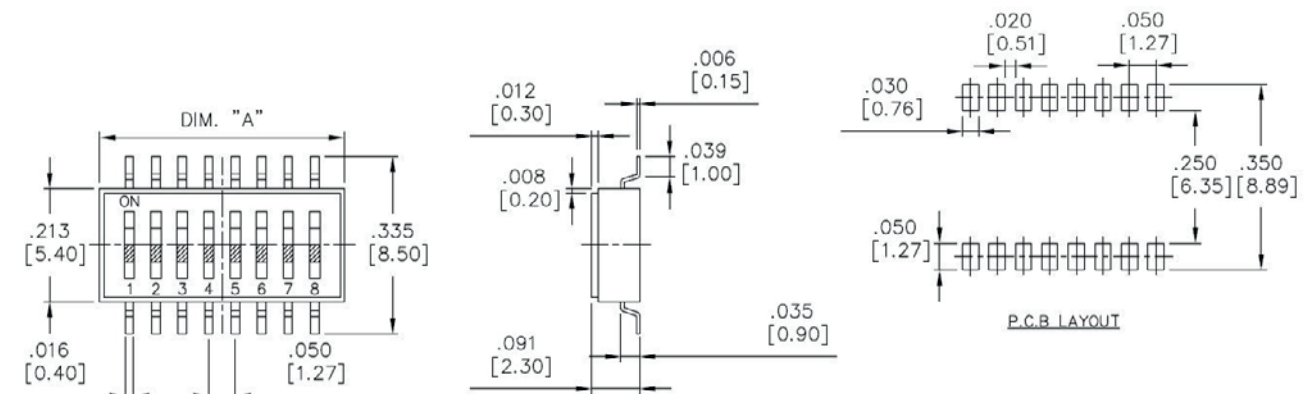
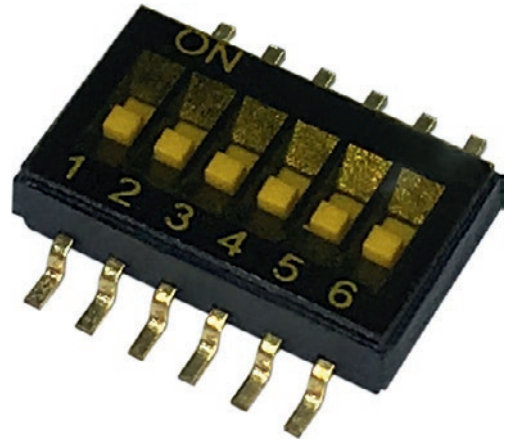
Switching rating 25mA, 24VDC

Soldering temperature 260°C for 5±1sec

With top tape

SPECIFICATION:

Poles	6
Pitch	1.27 mm
Actuation	above
Contact resistance	50 mΩ
Contact material	Phosphor bronze
Test voltage	500 VAC
Operating Temperature range	-30 ... 85 °C
Storage Temperature range	-30 ... 85 °C



Art. Nr.

RND 210-00185