

# PCB Tact Switch

## PCB 12 VDC 50 mA Through Hole THT



### FEATURES:

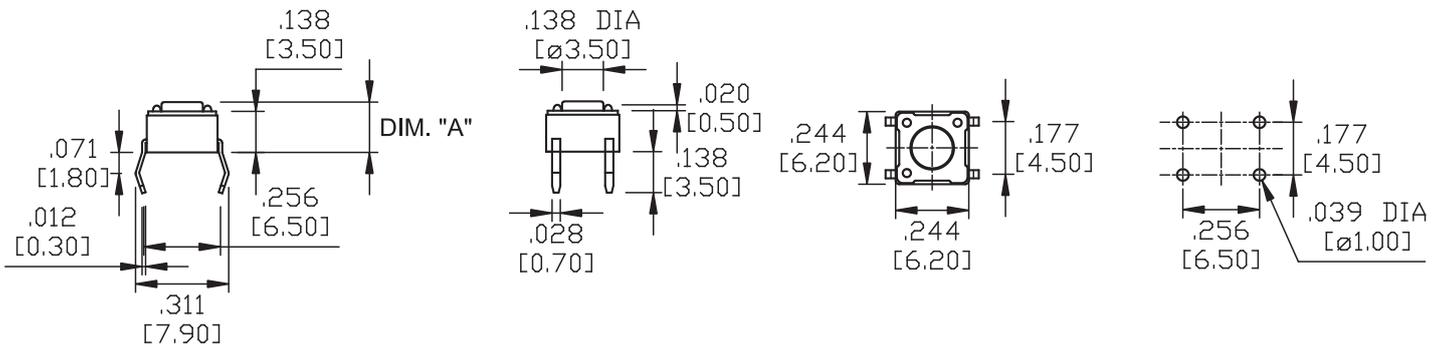
Contact Resistance:	100m-ohms max. @ 1A 2 - 4 VDC
Insulation Resistance:	100M-ohms max. @ 500VDC
Withstand Voltage:	100VAC RMS for 1 min
Endurance:	10.000 cycles @ 10 cpm
Total Travel:	0.25 mm

### SPECIFICATION:

Switching type	Momentary function
Switching type, ( )momentary	(on)-off
Rated current	50 mA
Rated voltage	12 VDC
Actuation force	2.45 N
Poles	1
Mounting	Through Hole THT
Termination type	PCB
Colour	black/grey
Temperature range	-20...+70 °C
Construction form	Tact switch
Height	7 mm
Length	6 mm
Width	6 mm



### DRAWING



DIM. "A" = 7 mm

Type	DIM. "A"
RND 210-00192	.169 [4.30]
RND 210-00193	.197 [5.00]
RND 210-00194	.276 [7.00]
RND 210-00196	.374 [9.50]