

# PCB Tact Switch

PCB SQ. 2.4 mm 12 VDC 50 mA Through Hole THT



## FEATURES:

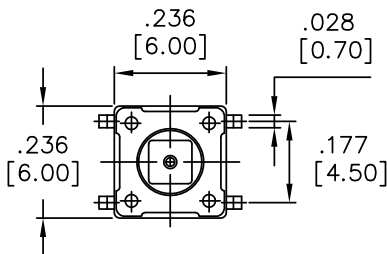
Contact Resistance: 100m-ohms max. @ 1A 2 - 4 VDC  
 Insulation Resistance: 100M-ohms max. @ 500VDC  
 Withstand Voltage: 100VAC RMS for 1 min  
 Endurance: 10.000 cycles @ 10 cpm  
 Total Travel: 0.25 mm

## SPECIFICATION:

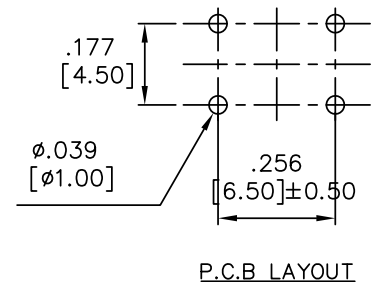
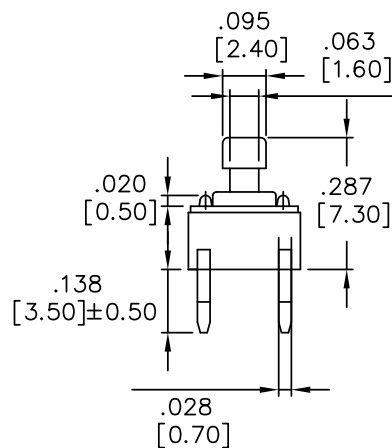
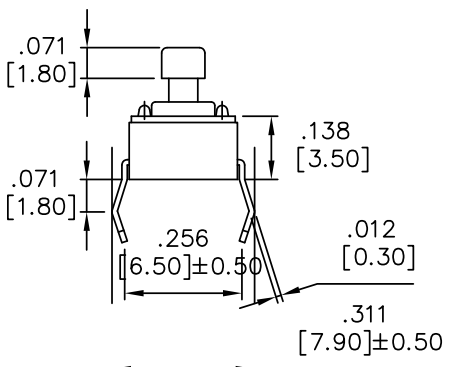
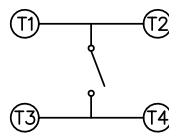
Switching type	Momentary function
Switching type, ( ) momentary	(on)-off
Rated current	50 mA
Rated voltage	12 VDC
Actuation force	2.45 N
Poles	1
Mounting	Through Hole THT
Termination type	PCB
Colour	black/grey
Temperature range	-25...+70 °C
Construction form	Tact switch
Height	7.3 mm
Length	6 mm
Width	6 mm



## DRAWING



## CIRCUIT DIAGRAM



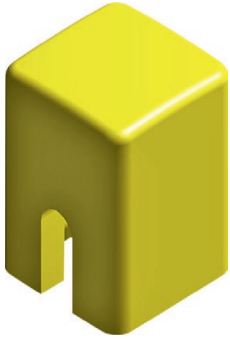
Art. Nr.  
**RND 210-00195**

# PCB Tact Switch

PCB SQ. 2.4 mm 12 VDC 50 mA Through Hole THT



## Suitable Switch Caps



RND 210-00219



RND 210-00221



RND 210-00223



RND 210-00225



RND 210-00227



RND 210-00220



RND 210-00222



RND 210-00224



RND 210-00226



RND 210-00228

Cap material: ABS - PA707