

SPECIFICATIONS:

BUSHING: $\varnothing 19\text{mm}$.
CONTACT RATING: 2A @ 36VDC.
ELECTRICAL LIFE: 200,000 cycles at full load.
CONTACT RESISTANCE: 50m-ohms max. initial @2-4VDC.
INSULATION RESISTANCE: 1,000M-ohms min. @500VDC.
DIELECTRIC STRENGTH: 2,000V RMS 50~60Hz.
IP CLASS: IP65 protection.
TORQUE: 5~14Nm max. applied to nut.
OPERATING FORCE: 4N max.
CONSTRUCTION FORM: SPST.
SWITCHING CIRCUIT: OFF-MOM.
CONTACTS: 1 Make Contact (NO).
SWITCHING TYPE: Momentary Function.
OPERATING TEMPERATURE: $-20^{\circ}\text{C}\sim+55^{\circ}\text{C}$.

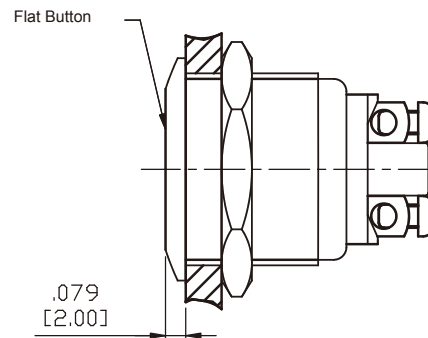
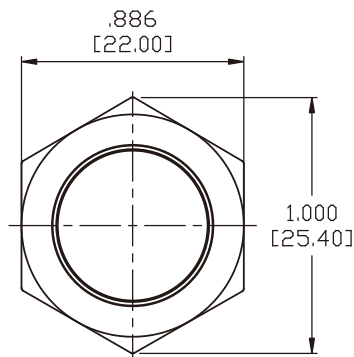


MATERIALS:

CONTACT: Silver alloy.
BASE: PBT.
NUT: Nickel plated brass.

Art. Nr.
RND 210-00388

Specifications and Dimensions subject to change



Schematic

