

## SPECIFICATIONS:

BUSHING:  $\varnothing 22\text{mm}$ .  
CONTACT RATING: 5A @ 250VAC.  
ELECTRICAL LIFE: 50,000 cycles at full load.  
CONTACT RESISTANCE: 50m-ohms max. initial @2-4VDC.  
INSULATION RESISTANCE: 1,000M-ohms min. @500VDC.  
DIELECTRIC STRENGTH: 2,000V RMS 50~60Hz.  
IP CLASS: IP65 protection.  
TORQUE: 5~14Nm max. applied to nut.  
OPERATING FORCE: 5.5N max.  
CONSTRUCTION FORM: SPDT.  
SWITCHING CIRCUIT: ON-ON.  
CONTACTS: 1 Break Contact (NC), 1 Make Contact (NO).  
SWITCHING TYPE: Latching Function.  
OPERATING TEMPERATURE:  $-20^{\circ}\text{C}\sim+55^{\circ}\text{C}$ .

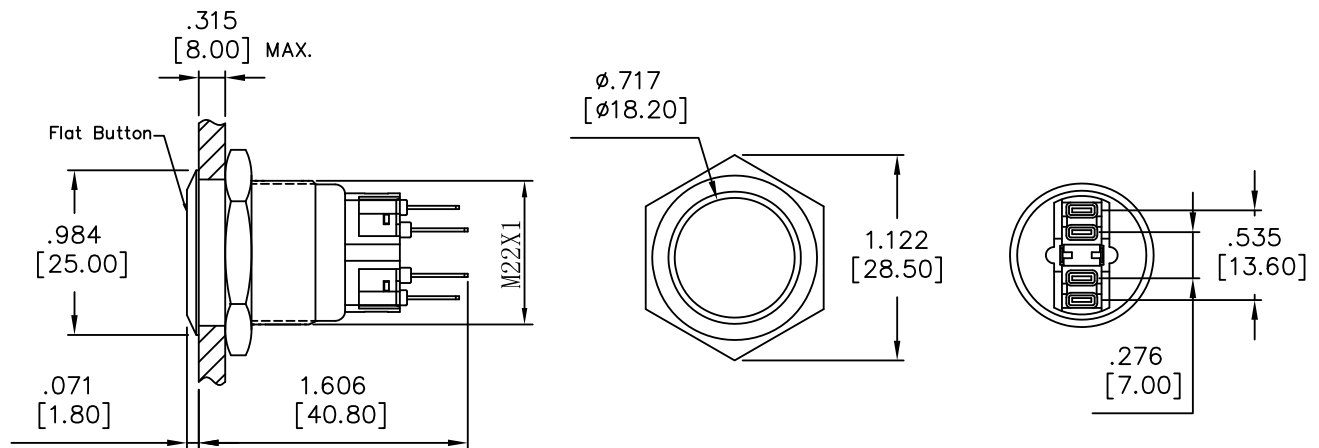


## MATERIALS:

CONTACT: Silver alloy.  
BASE: PBT.  
NUT: Nickel plated brass.

Art. Nr.  
**RND 210-00397**

Specifications and Dimensions subject to change



CONTACT CONFIGURATION