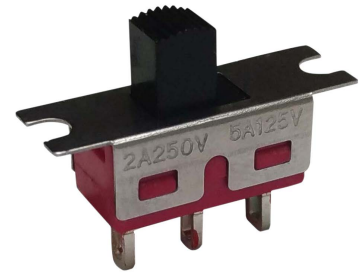


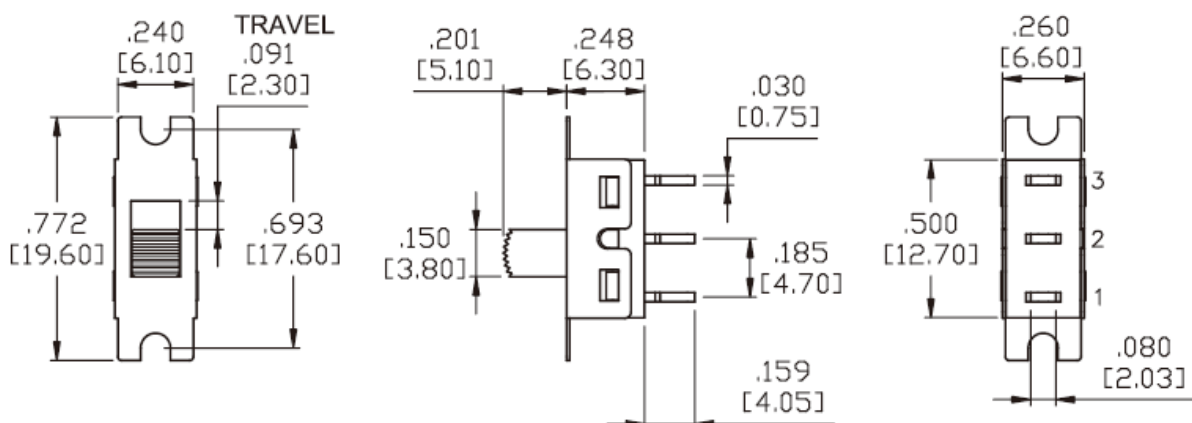
Miniature Slide Switch



Specification

Contact Material	Copper Alloy, Silver Plated
Terminal Material	Copper Alloy, Silver Plated
Contact Resistance	10 mOhm
Contact Configuration	SPDT
Contact Rating	5 A with Resistive Load @ 120 VAC or 28 VDC 2 A with Resistive Load @ 250 VAC
Insulation Resistance	1000 MOhm
Dielectric Strength	1000 V RMS
Electrical Life	50000 Make and Break Cycles at Full Load
Operating Temperature Min.	-30 °C
Operating Temperature Max.	85 °C
Switch Function	On-On
Actuator Height	5.1 mm
Termination Type	Soldering Lugs
Seal	Epoxy

Drawing



Art. Nr.
RND 210-00581