

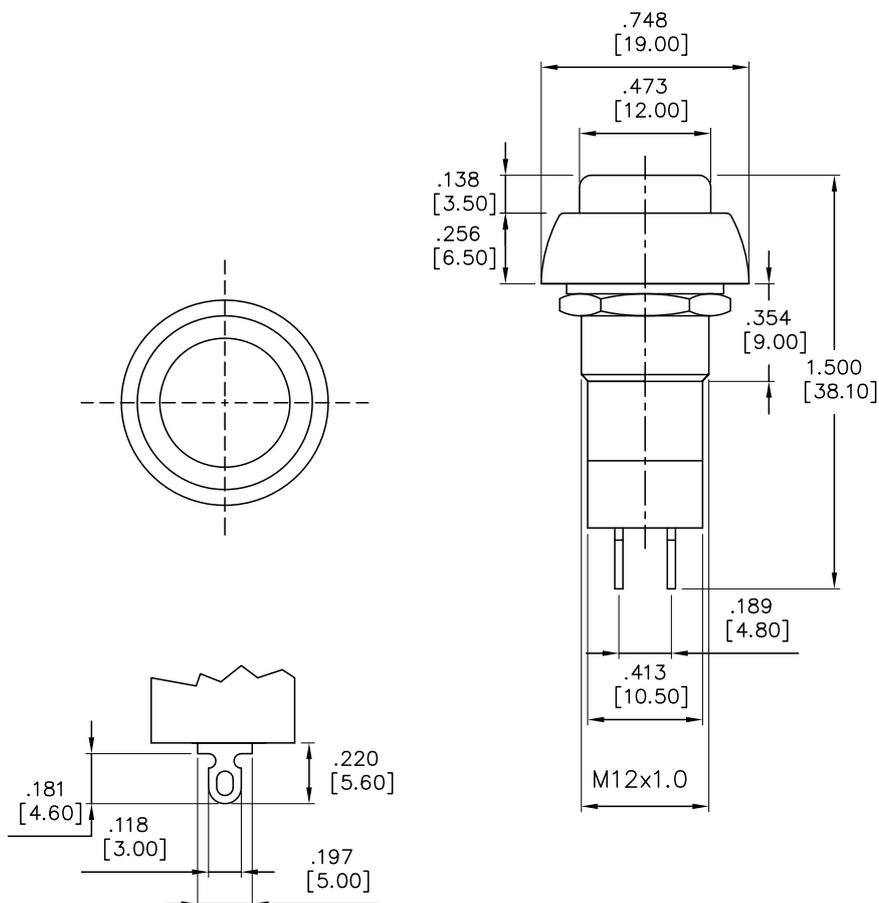
Pushbutton Switch



Specification

Contact Rating	1 A, 125 / 250 VAC
Contact Resistance	30 mOhm max.
Insulation Resistance	100 MOhm min., 500 VDC
Dielectric Strength	1 kVAC for 1 min.
Electrical Life	5000 Cycles
Mechanical Life	10000 Cycles
Push Force	> 300 g
Circuit	OFF-ON
Operating Temperature	-5 ... 65 °C
Tolerance	+/- 0.3 mm
Button Colour	Black
Terminal Material	Copper Alloy

Drawing



Art Nr.
RND 210-00649