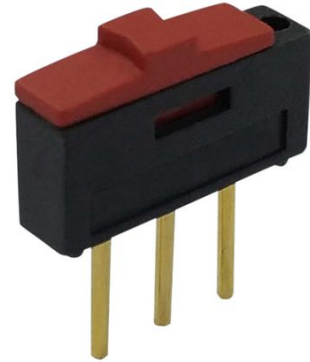


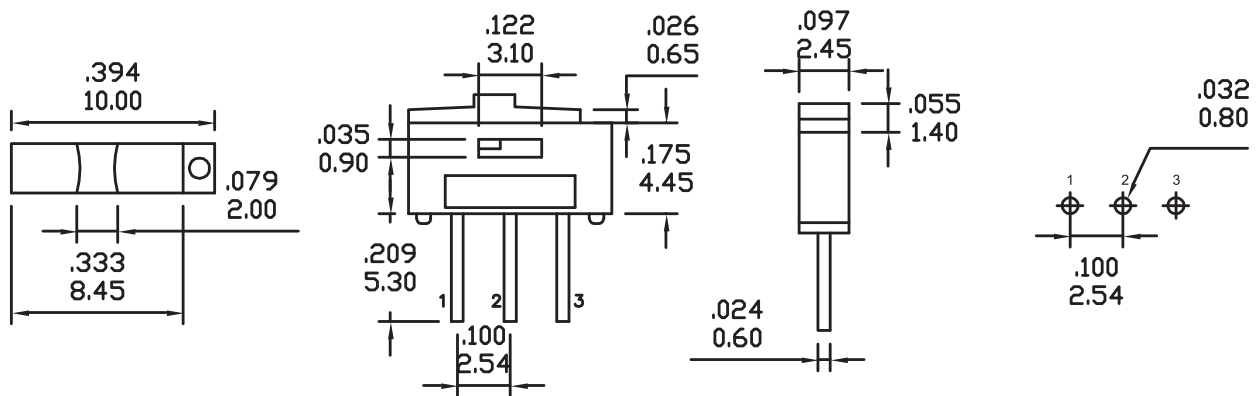
# Slide Switch



## Specification

Contact Configuration	1CO
Contact Rating	500 mA, 12 VDC
Mechanical Life	1000 Cycles
Insulation Resistance	500 MOhm min. @ 500 VDC
Contact Resistance	30 mOhm max
Housing Material	Nylon 6/6, UL94V-0
Slide Handle Material	Nylon 6/6, UL94V-0
Switching Function	ON-ON
Terminal Material	Brass, Gold Over Nickel Plated
Termination Type	PC, Through Hole

## Drawing



Art Nr.  
RND 210-00662