

# LED Indicator Light

## Features

- Round type
- With flange
- Green LED colour
- Solder leads without stand-off
- Compliant with RoHS
- Standard luminous intensity



## Specification

Rated Current	20 mA
Circuit Voltage	2 VDC
Series Resistor	Without
LED Colour	Green Diffused
Technology	GaP
Diameter	T1-3/4 (5 mm)
Peak Wavelength	568 nm
Viewing Angle	50°

## ABSOLUTE MAXIMUM RATINGS

(Ta=25°C)

PARAMETER	SYMBOL	MAX. RATING	Unit
Power Dissipation	PD	65	mW
Peak Forward Current (1/10 Duty Cycle @1KHz )	IFP	20	mA
Reverse Voltage	VR	5.0	V
Operating Temperature Range	TOPR	-40~+85	°C
Storage Temperature Range	TSTG	-40~+85	°C

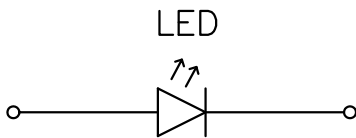
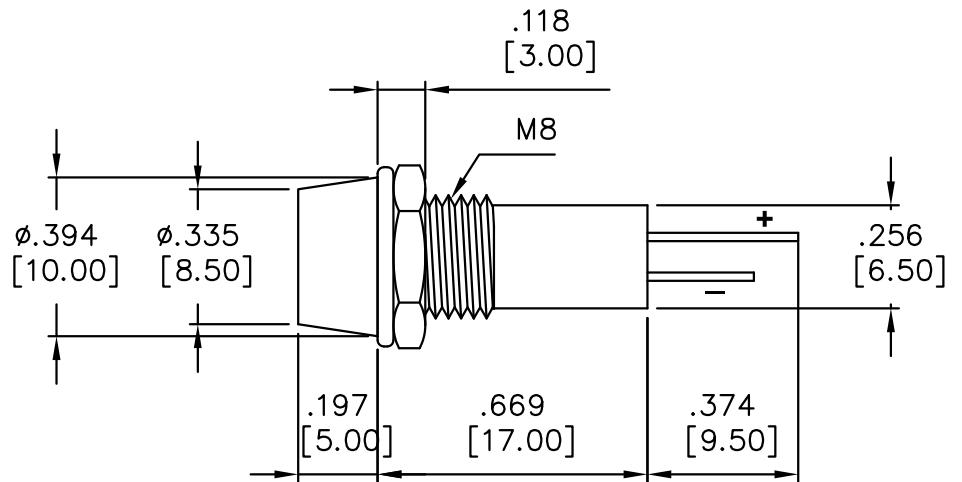
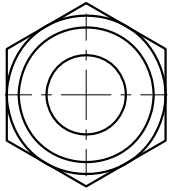
Solder temperature 1.6 mm from body for 3 seconds at 260°C

## OPTICAL-ELECTRICAL CHARACTERISTICS

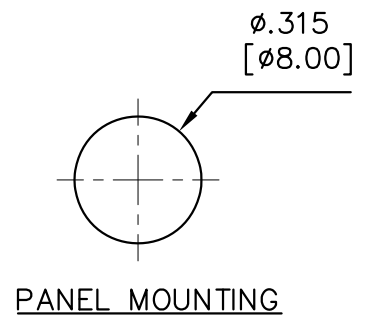
PARAMETER	SYMBOL	TEST CONDITION	MIN	TYP	MAX	UNIT
Luminous Intensity	IV	IF = 20mA		40		mcd
Forward Voltage	VF	IF = 20mA		2.1	2.6	V
Reverse Current	IR	VR = 5V			10	uA
Viewing Angle	2θ1/2	IF = 20mA		50		deg.
Peak Wavelength	λP	IF = 20mA		568		nm

# LED Indicator Light

## Drawing



SCHEMATIC



### Art Nr.

RND 210-00683