

LED Indicator Light

Features

- Projecting LED or with reflector
- Low power consumption
- Solder pin terminals
- Used within circuit boards and electronic designs



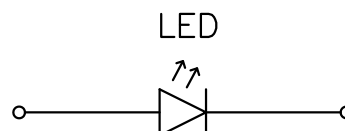
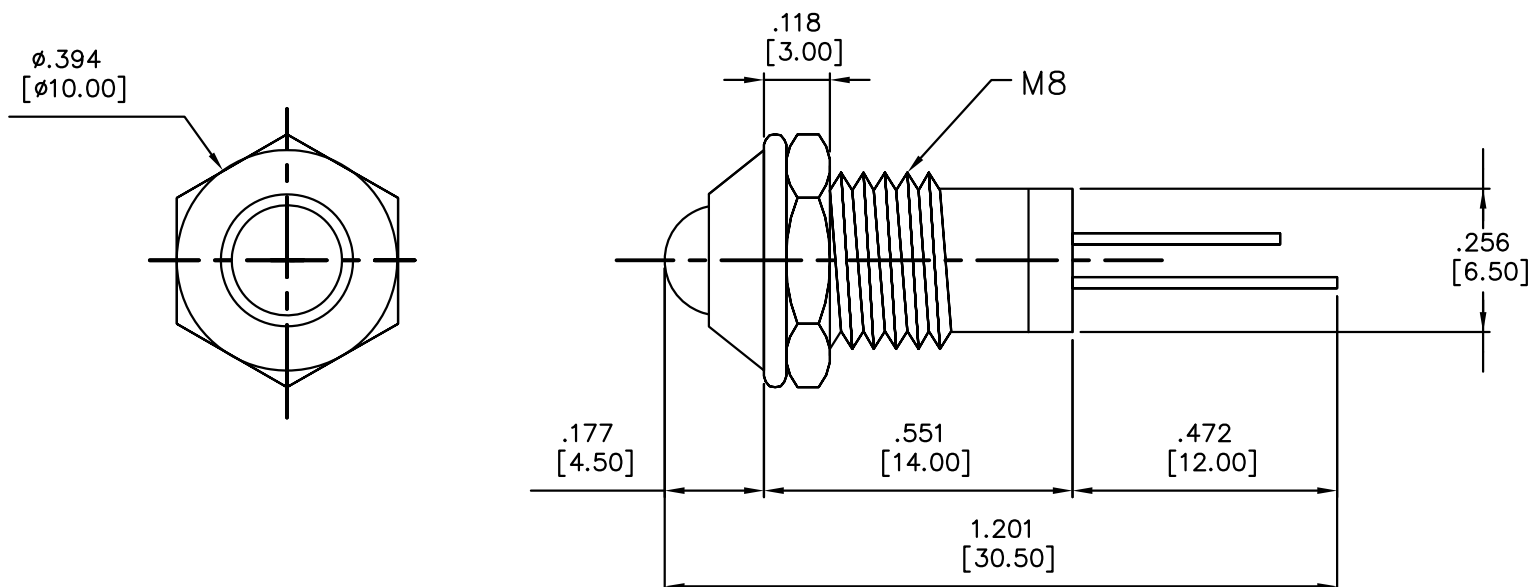
Specification

Rated Current	20 mA
Circuit Voltage	2.1 VDC
Series Resistor	N/A
LED Colour	Red
LED Diameter	5 mm
Insulation Resistance	100 MOhm min. @ 500 VDC
Dielectric Strength	200 VAC for 1 min.
Operating Temperature	-25 ... 70 °C
Hand Soldering	350 +/- 5°C for 3 sec. max.
Luminous Intensity	22 mcd
Peak Wavelength	700 nm

Material Specification

Housing	Bronze
Nut	Bronze
Washer	Iron
Holder	ABS

Drawing



Art Nr.
RND 210-00685

SCHEMATIC