

# LED Indicator Light

## Features

- Flat illumination type
- IP67 front panel protection class
- Operating temperature: -20 to +55 °C

## Specification

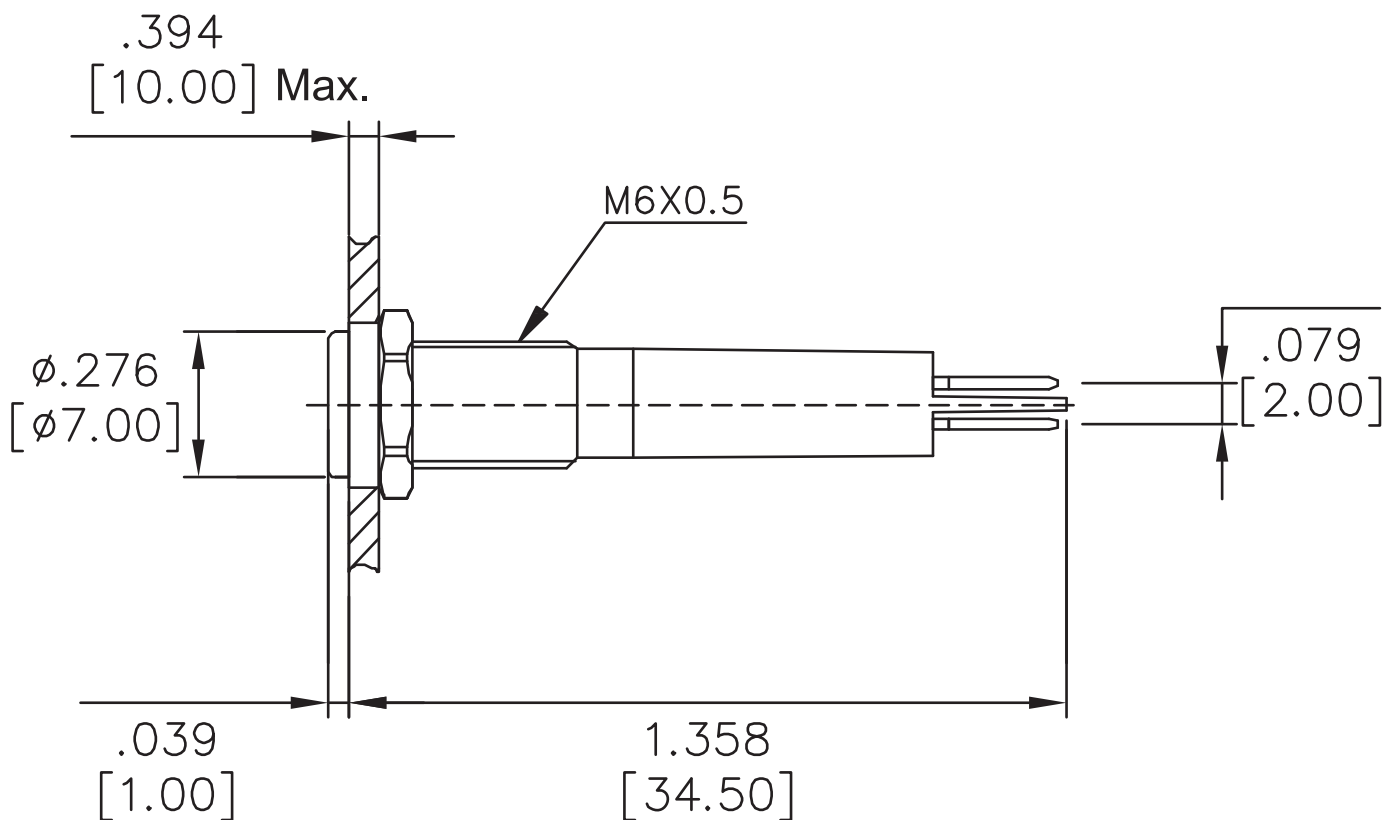
Thread Size	M6
LED Colour	Green
LED Voltage	24 V
Illumination Type	Flat
u Type	Solder Lug
k #	20 °
Forward †	3.1 V typ.
o k	†
Torque	5 ~ 14 Nm max. Applied to Nut
Dielectric Strength	1100 V RMS ~ 50~60 Hz
Luminous Intensity	100 mcd
Peak Wavelength	517 nm



## Material Specification

Body Material	Stainless Steel
LED Cover	PC
Base	PBT
Illuminant	LED

## Drawing



## Art Nr.

RND 210-00694