

LED Indicator Light

Features

- Flat illumination type
- IP67 front panel protection class
- Operating temperature: -20 to +55 °C



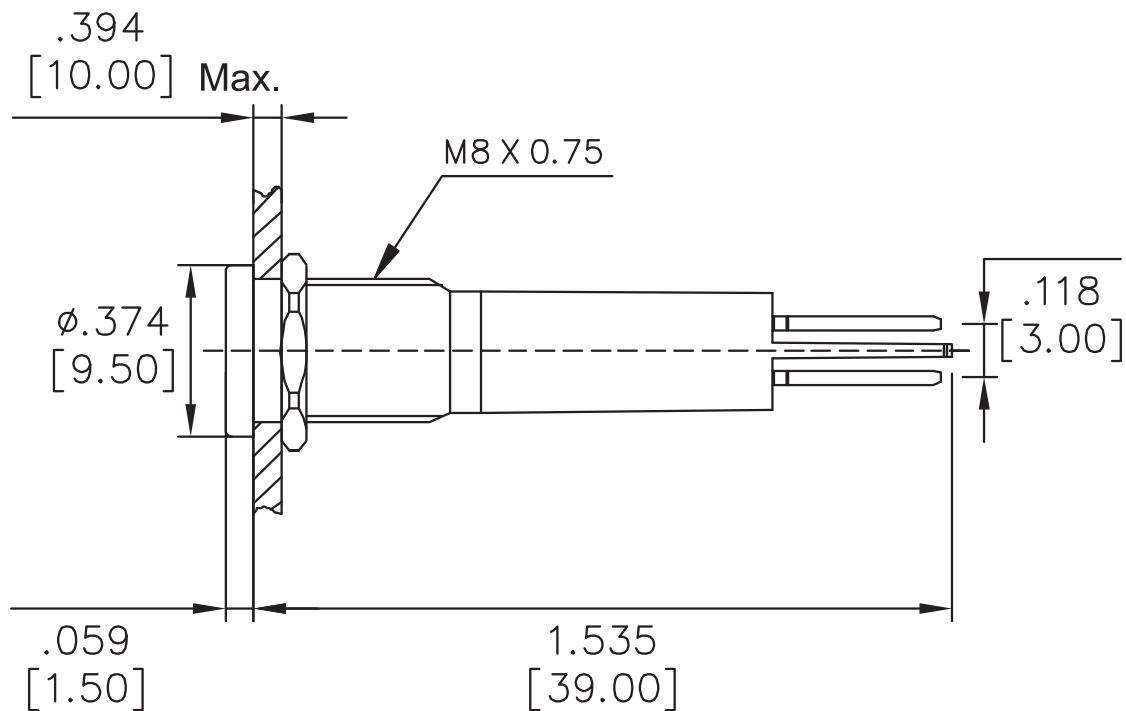
Specification

Thread Size	M8
LED Colour	Red
LED Voltage	12 V
Illumination Type	Flat
Terminal Type	Solder Lug
Rated Current	20 mA
Forward Voltage	2.1 V
Series Resistor	22 kOhm (1/2W)
Torque	5 ~ 14 Nm max. Applied to Nut
Dielectric Strength	1100 V RMS ~ 50~60 Hz
Luminous Intensity	100 mcd
Peak Wavelength	625 nm

Material Specification

Body Material	Stainless Steel
LED Cover	PC
Base	PBT
Illuminant	LED

Drawing



Art Nr.

RND 210-00699