

Rocker Switch

Features

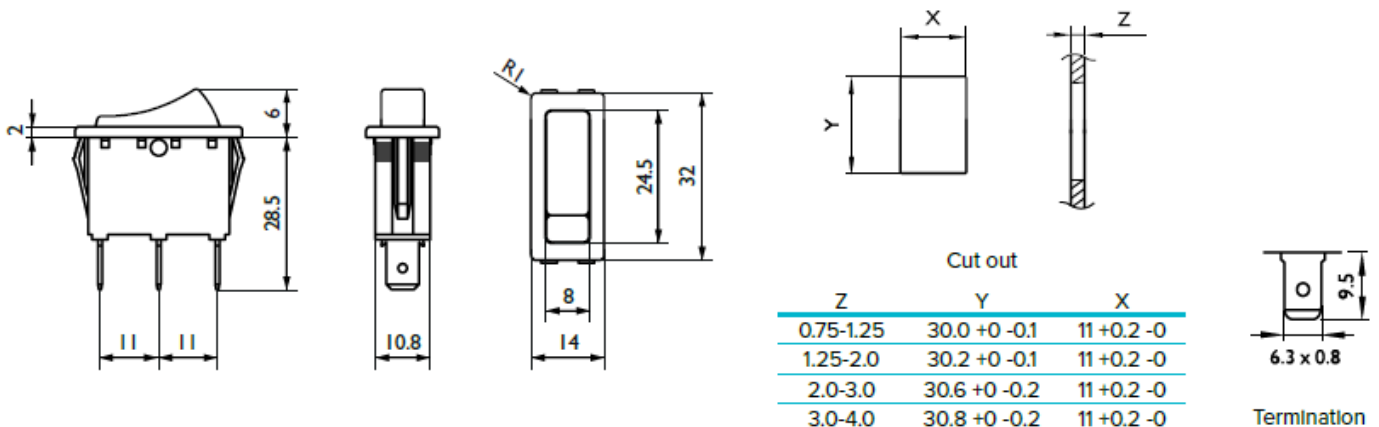
- Life 50000 cycles
- Typical applications include small refrigerators and gardening equipment
- Panel cut out 30 x 11 mm
- Single pole



Specification

Rating	20 A, 250 VAC
Contact Configuration	1NO
Panel Cut Out Width	11 mm
Panel Cut Out Height	30 mm
Illuminated	Yes
Actuator Colour	Red
Mounting Type	Panel Mount
Termination Type	Faston Terminal, 6.3 x 0.8 mm
Housing Material	Plastic
Mechanical Life	50000 Operations
Operating Temperature max.	125 °C
Actuator Type	Rectangular Rocker

Drawing



Wiring Diagram



Accessories



RND 210-00713
Splashproof Cap

Art Nr.
RND 210-00706