

# Rocker Switch

## Features

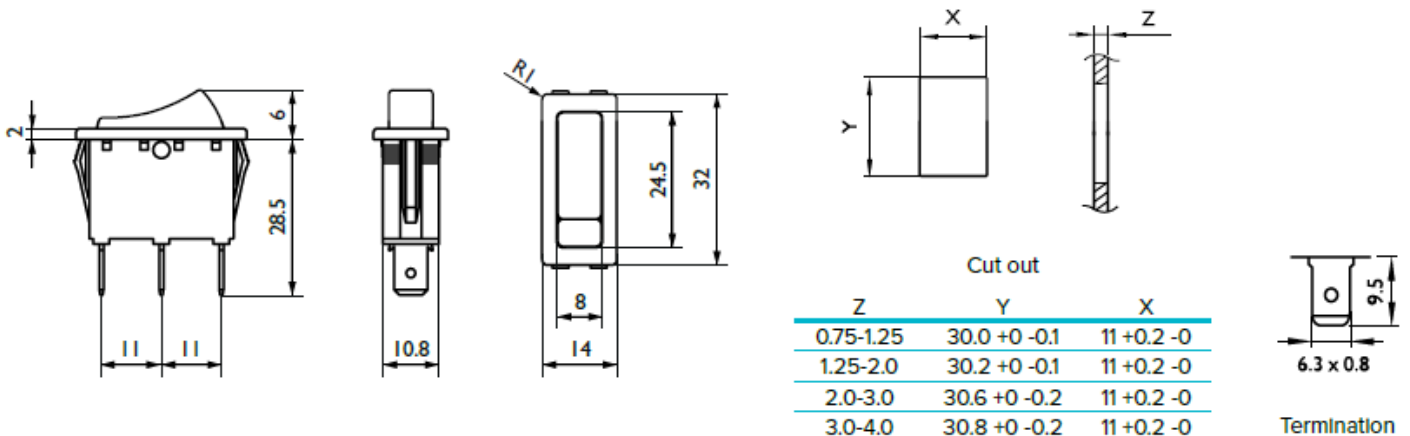
- Life 50000 cycles
- Typical applications include small refrigerators and gardening equipment
- Panel cut out 30 x 11 mm
- Single pole



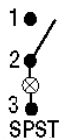
## Specification

Rating	20 A, 250 VAC
Contact Configuration	1NO
Panel Cut Out Width	11 mm
Panel Cut Out Height	30 mm
Illuminated	Yes
Actuator Colour	Green
Mounting Type	Panel Mount
Termination Type	Faston Terminal, 6.3 x 0.8 mm
Housing Material	Plastic
Mechanical Life	50000 Operations
Operating Temperature max.	125 °C
Actuator Type	Rectangular Rocker

## Drawing



## Wiring Diagram



## Accessories



RND 210-00713  
 Splashproof Cap

Art Nr.  
 RND 210-00707