

Rocker Switch

Features

- Single pole
- Panel mounting
- ROHS compliant
- VDE, UL approval



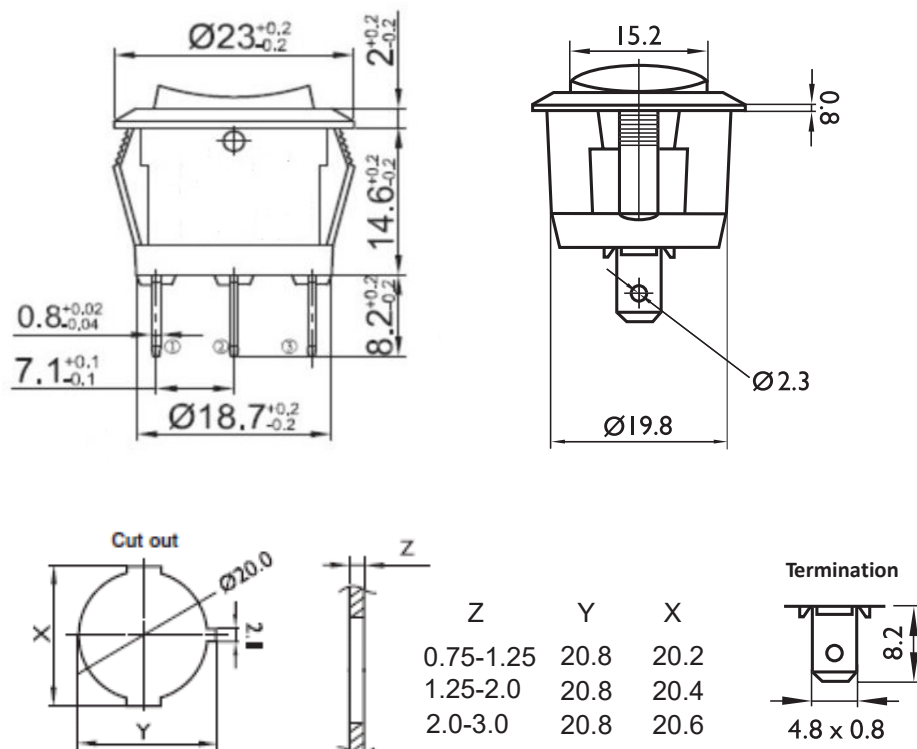
Specification

Rating	6 A 250 VAC, 10 A 125 VAC
Colour	Black
Contact Configuration	1CO
Contact Resistance	30 MOhm max.
Insulation Resistance	500 VDC 100 MOhm min.
Electrical Life	10000 Cycles
Operation Force	300 ... 600 gf
Switching Function	ON-OFF-ON
Operating Temperature max.	125 °C
Operating Temperature min.	-25 °C
Termination Type	Faston Terminal, 4.8 x 0.8 mm
Actuator Type	Round Rocker
Legend	I-O-II
Poles	1
Illumination	No

Material Specification

Housing Material	Polyamide 66, UL94-V2
Terminal Material	Copper Alloy
Contact Material	AgNi, Alloy Plated
Rocker Material	Polyamide 66, UL94-V2

Drawing



Art Nr.
RND 210-00719