

Micro Switch

Features

- Snap-action switch
- Micro switch with quick connect terminals
- Simple construction and high reliability for long time
- Robust design



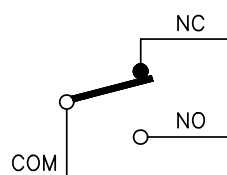
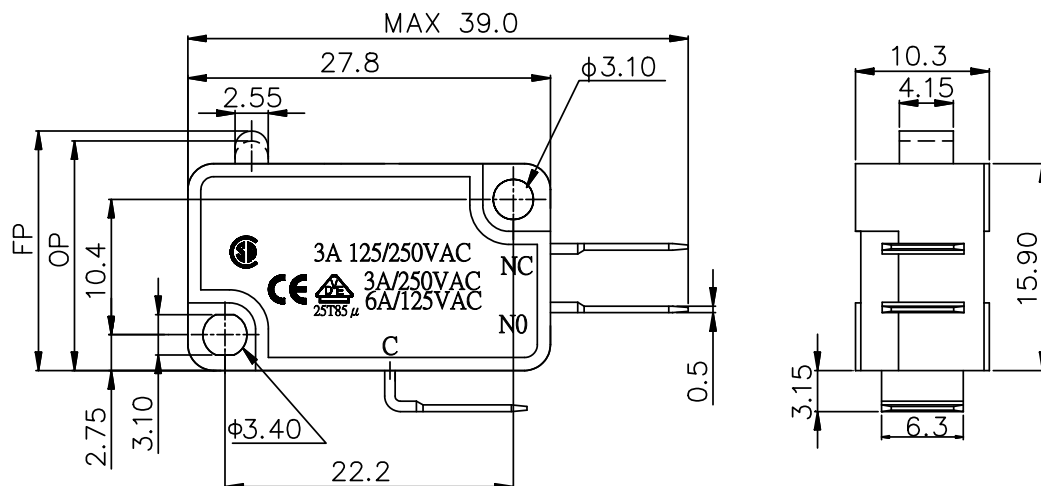
Functional Specification

Rated Voltage	125 VAC / 250 VAC
Rated Current	3 A
Contact Resistance	100 mOhm
Operating Force	110 ± 20 gf
Free Position	18.4 ± 0.5 mm
Operating Position	17.5 ± 0.5 mm
Actuator Type	Pin Plunger
Termination Type	Quick Connect

Reliability Rating

Mechanical Life	1000000 Cycles
Electrical Life	10000 Cycles
Insulation Resistance	100 MOhm @ 500 VDC
Dielectric Withstanding Voltage	1 kVAC 1 min
Soldering Type	Hand / Wave Soldering
Operating Temperature	-25 ... 85 °C
Ambient Humidity	< 85%RH

Drawing



SCHEMATIC

Art. Nr.
RND 210-00758