

Industrial Key Switch

Features

- Power level, bushing mount
- Impact resistance rating of IK02
- Front panel protection rating of IP40
- RoHS / REACH compliance



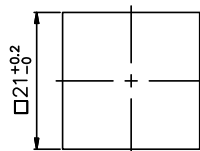
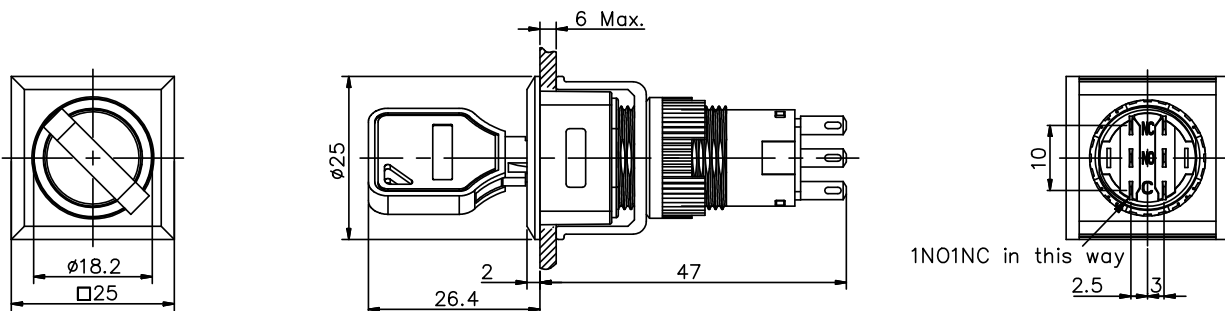
Specification

Switching Configuration	1CO
Rated Insulation Voltage	250 V
Thermal Current (I _{th})	5 A max.
Rating	500 mA / 220 VAC 700 mA / 24 VDC
Switch Type	90°, 2 Positions Momentary
Mechanical Life	200000 Cycles min.
Electrical Life	50000 Cycles min.
Contact Resistance	50 mOhm max.
Insulation Resistance	100 MOhm min. (500 VDC)
Dielectric Strength	1.5 kV RMS 50 Hz 1 min.
Operating Temperature	-25 ... 55 °C
Protection Rating	IP40


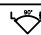
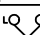
Material Specification

Body	Polycarbonate
Contact	Silver Alloy
Base	PBT

Drawing



PANEL CUTOUT

Contact structure	Frame color	Operation position	Operation type	● Key retained at position
SP=1NO 1NC	Black Frame	Two Position 	Return 	

Art. Nr.
RND 210-00794