

# Anti-Vandal Illuminated Pushbutton Switch



## Specification

Switch Rating	2A @36VDC
Mechanical Life	1m cycles min
Electrical Life	50k cycles min
Contact Resistance	50 mΩ
Insulation Resistance	1 GΩ
Dielectric Strength	1500 V
Operating Temperature	- 25 °C ~ 55 °C
Operating Force	2 N
Operating Travel	3.1 mm
Torque	0.8 Nm
IP Class	IP67 Front panel
Terminal Type	Pin Terminal (2.8 x 0.5 mm)
Switching Circuit	ON-ON
LED Colour	Blue

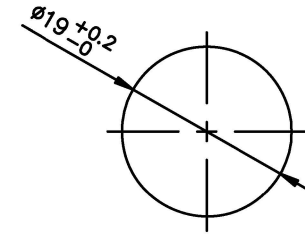
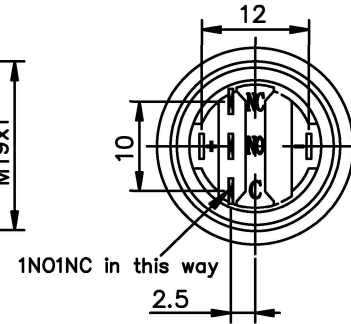
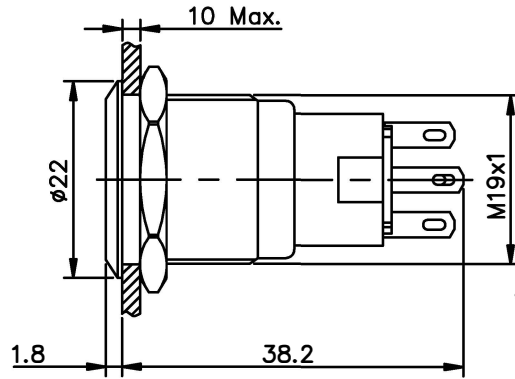
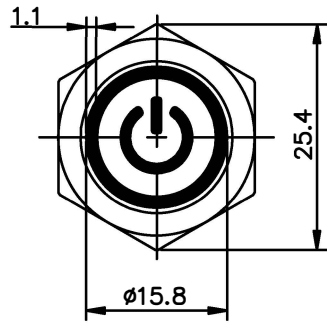
## Materials

Contact	Silver alloy
Base	PBT
Pin Terminal	Silver plated brass
LED Pin	Silver plated copper

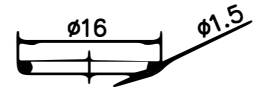
**Art. Nr.**  
**RND 210-00807**

# Drawing

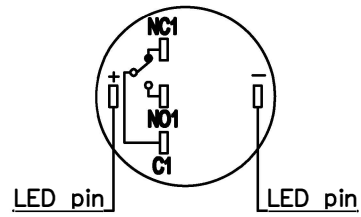
The shaded part is illuminated



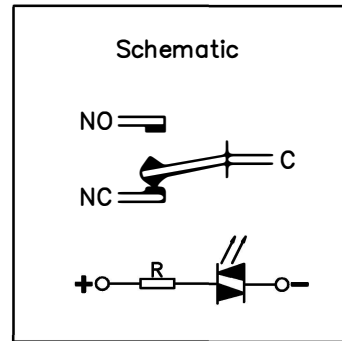
PANEL CUTOUT



Seal Ring



Contact Composition



Art. Nr.  
RND 210-00807