

Anti-Vandal Illuminated Pushbutton Switch



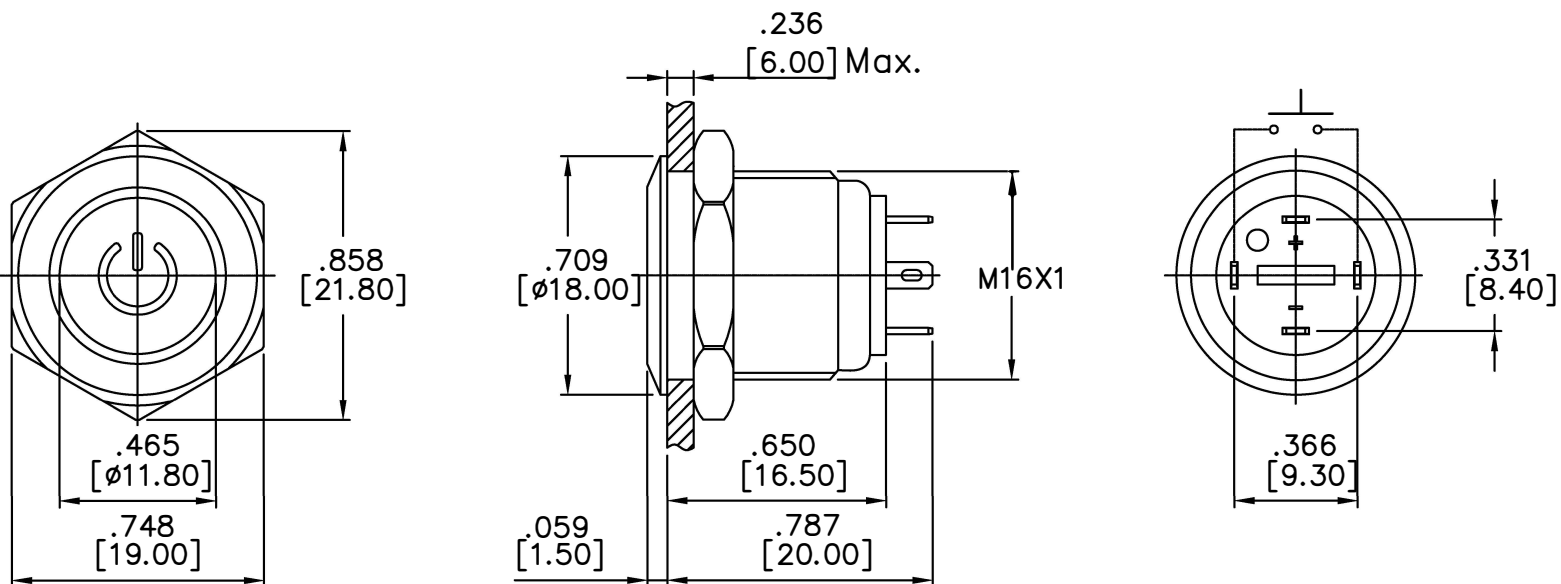
Specification

Switch Rating	2A @ 36VDC
Electrical Life	200,000 cycles
Contact Resistance	50 mΩ
Insulation Resistance	1 GΩ
Dielectric Strength	2,000 V RMS 50Hz
Operating Temperature	1500 V
IP Class	IP67,IK08
Torque	0.6 Nm applied to nut
Operating Force	4 N
Contact Configuration	1 NO
Switching Circuit	OFF-(ON)
LED Colour	Green
Termination Type	Blade Terminal

Materials

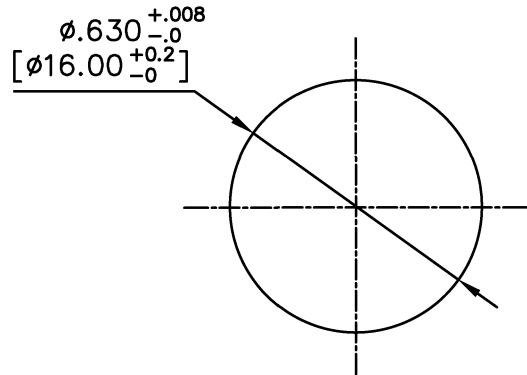
Contact	Silver alloy
Base	PBT

Drawing



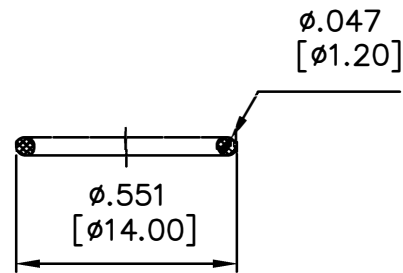
Art. Nr.
RND 210-00811

Drawing

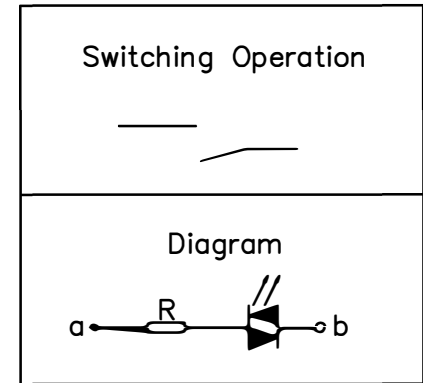


PANEL CUTOUT

Max. PANEL THICKNESS 6mm



SEAL RING



Art. Nr.
RND 210-00811