

# Anti-Vandal Pushbutton Switch



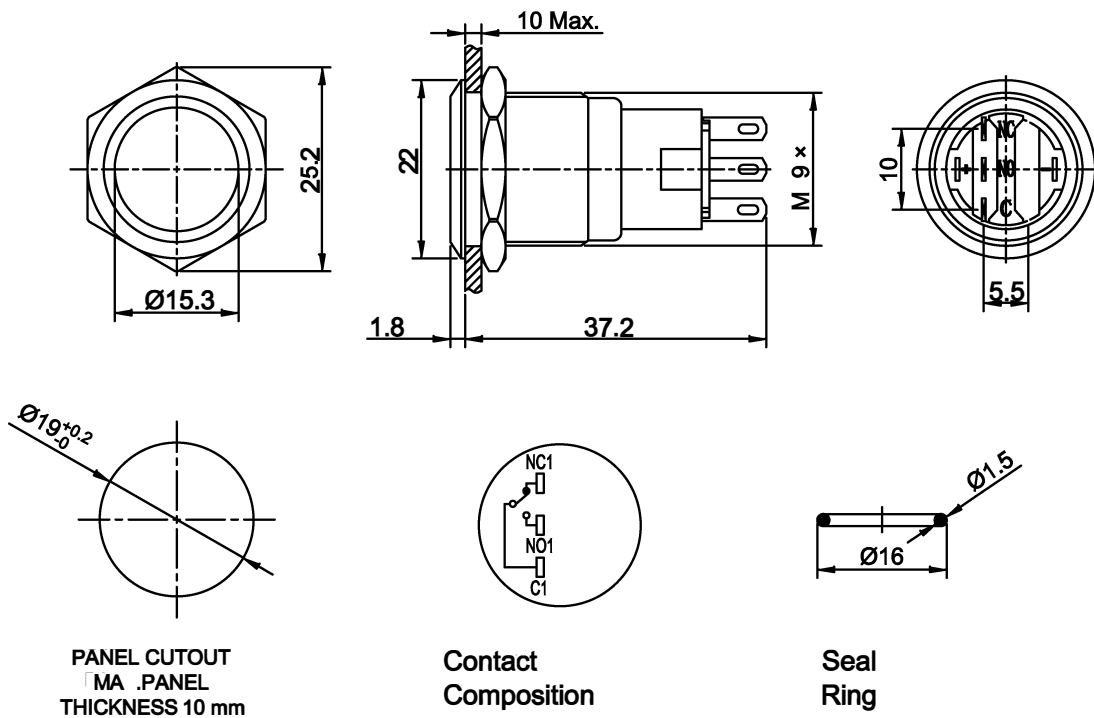
## Specification

Switch Rating	2A @ 36VDC
Electrical Life	50,000 cycles
Contact Resistance	50 mΩ
Insulation Resistance	1 GΩ
Dielectric Strength	1,500 V
Operating Temperature	1500 V
IP Class	IP67,IK09
Torque	0.6 Nm applied to nut
Operating Force	2 N
Contact Configuration	1 CO
Switching Circuit	ON-(ON)
Termination Type	Blade Terminal

## Materials

Contact	Silver alloy
Base	PBT
Nut	Nickel Plated Brass

## Drawing



Art. Nr.  
RND 210-00815