

# Anti-Vandal Pushbutton Switch



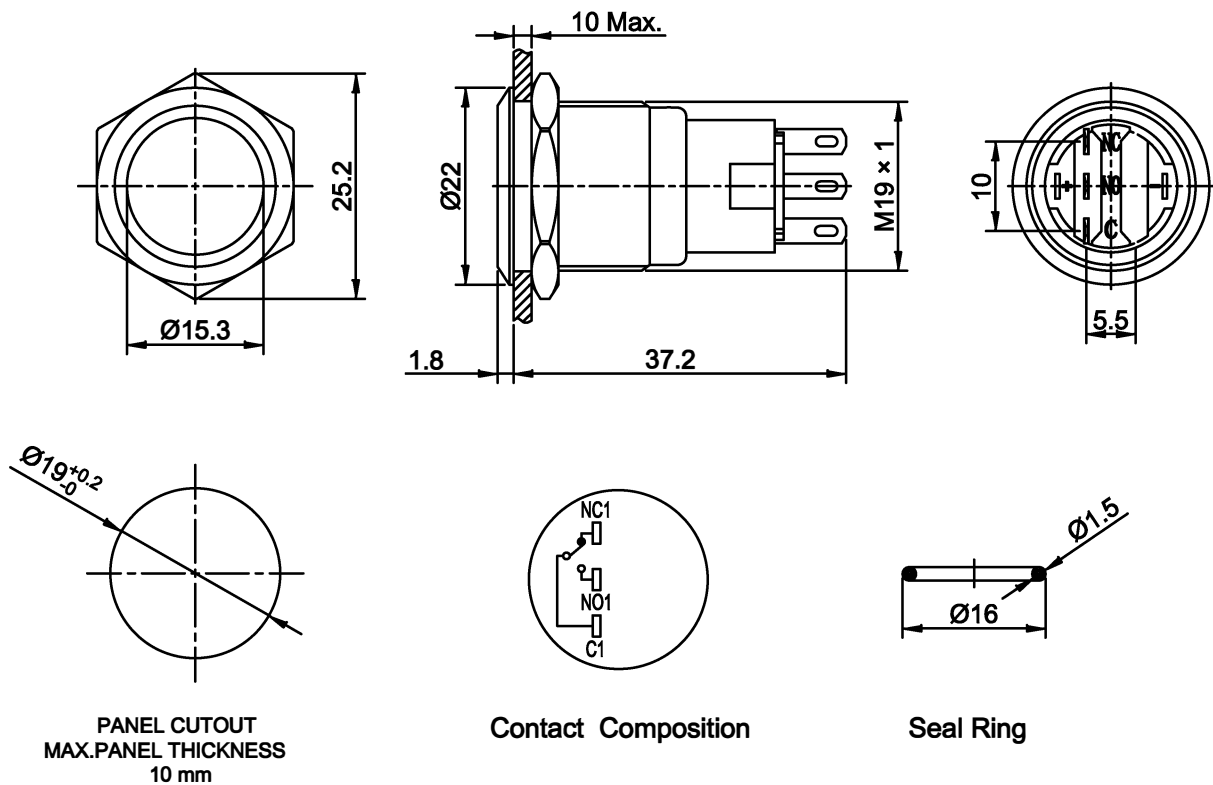
## Specification

Switch Rating	2A @ 36VDC
Electrical Life	200,000 cycles
Contact Resistance	50 mΩ
Insulation Resistance	1 GΩ
Dielectric Strength	1500 V
Operating Temperature	-25 °C ~ 55 °C
IP Class	IP67,IK06
Torque	0.6 Nm applied to nut
Operating Force	2 N
Switching Circuit	ON-ON
Termination Type	Blade Terminal

## Materials

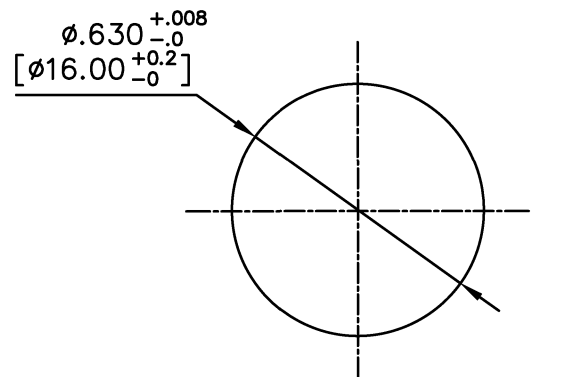
Contact	Silver alloy
Base	PBT
Nut	Nickel Plated Brass

## Drawing



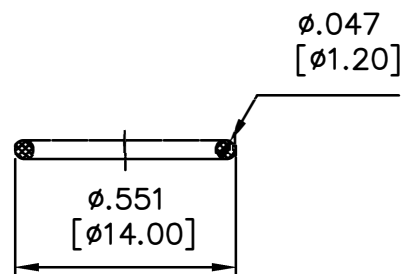
Art. Nr.  
RND 210-00819

## Drawing

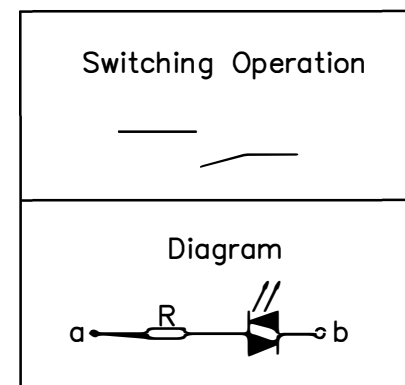


PANEL CUTOUT

Max. PANEL THICKNESS 6mm



SEAL RING



Art. Nr.  
RND 210-00814