

Anti-Vandal Illuminated Pushbutton Switch



Specification

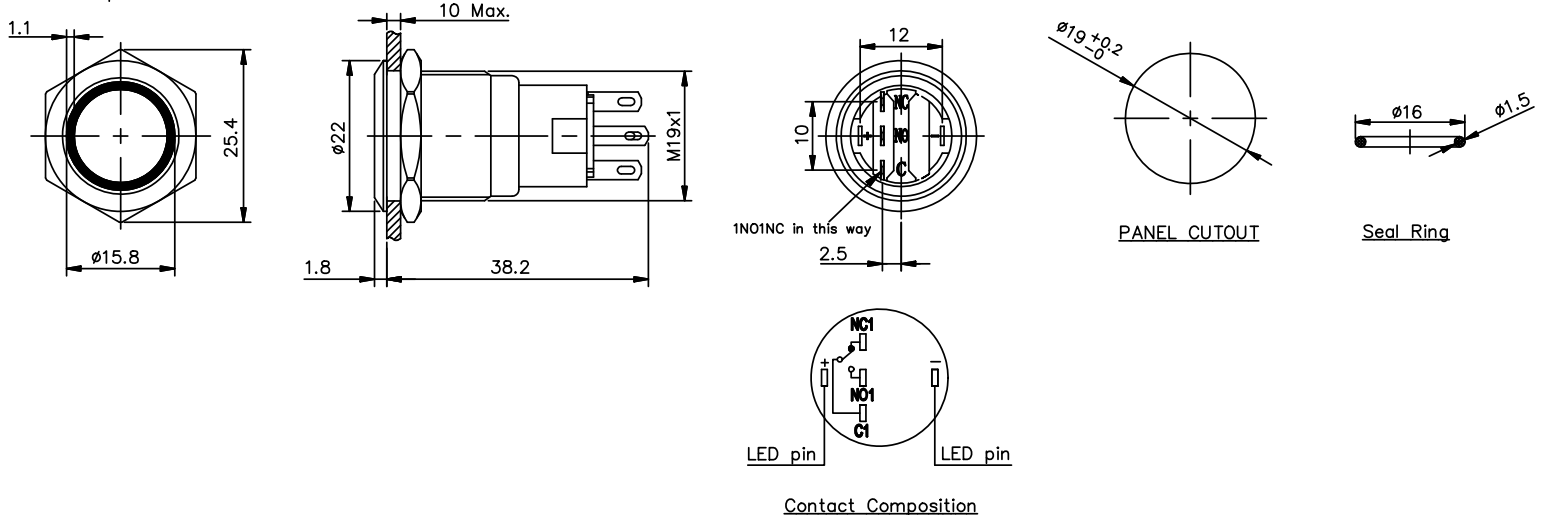
Switch Rating	2A @36VDC
Mechanical Life	1m cycles min
Electrical Life	50k cycles min
Contact Resistance	50 mΩ
Insulation Resistance	1 GΩ
Dielectric Strength	1500 V
Operating Temperature	- 25 °C ~ 55 °C
Operating Force	2 N
Operating Travel	3.1 mm
Torque	0.8 Nm
IP Class	IP67 Front panel; IK09
Terminal Type	Pin Terminal (2.8 x 0.5 mm)
Switching Circuit	ON-ON

Materials

Contact	Silver alloy
Base	PBT
Pin Terminal	Silver Plated Brass

Drawing

The shaded part is illuminated



Art. Nr.
RND 210-00820