

Anti-Vandal Pushbutton Switch



Specification

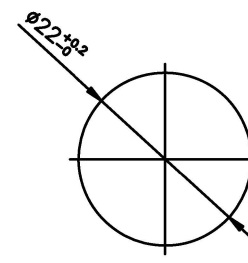
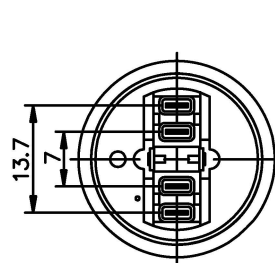
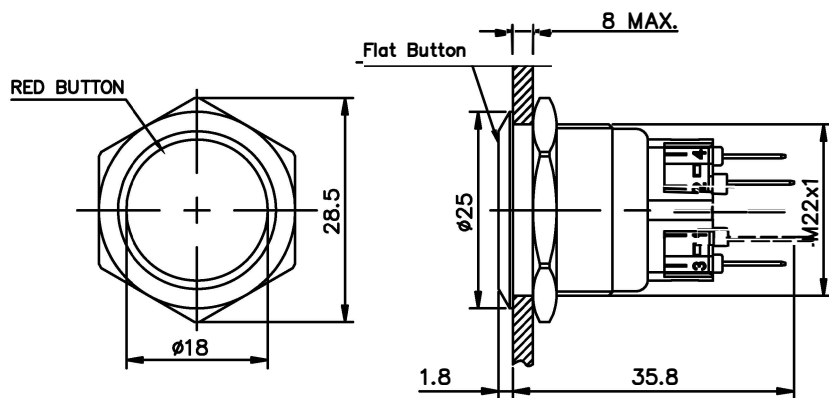
Switch Rating	2A @36VDC
Mechanical Life	1m cycles min
Electrical Life	50k cycles min
Contact Resistance	50 mΩ
Insulation Resistance	1 GΩ
Dielectric Strength	1500 V
Operating Temperature	- 25 °C ~ 55 °C
Operating Force	4 N
Operating Travel	2.5 mm
Torque	0.6 Nm
IP Class	IP65, IK10
Terminal Type	Pin Terminal (2.8 x 0.5 mm)
Switching Circuit	ON-(ON)

Materials

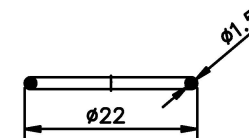
Contact	Silver alloy
Button	Al. alloy (Red)
Body	Silver Plated Brass
Base	Silver Plated Brass

Art. Nr.
RND 210-00825

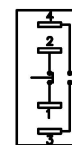
Drawing



PANEL CUTOUT

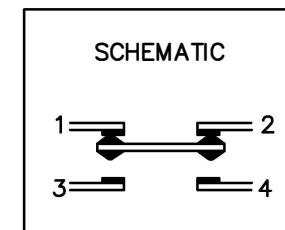


SEAL RING



Contact Composition.

1,2,3,4 are one set.
 1,2 are normal closed(NC);
 3,4 are normal opened(NO).



Art. Nr.
 RND 210-00825