

# Anti-Vandal Illuminated Pushbutton Switch



## Specification

Switch Rating	AC220V /0.5A
Mechanical Life	500k cycles min
Electrical Life	50k cycles min
Contact Resistance	50 mΩ
Insulation Resistance	1 GΩ
Dielectric Strength	1500 V
Operating Temperature	- 25 °C ~ 55 °C
Operating Force	2.5 N
Operating Travel	3 mm
Torque	0.8 Nm
IP Class	IP67 Front panel
Terminal Type	Pin Terminal (2.8 x 0.5 mm)
Switching Circuit	ON-(ON)
LED Colour	White

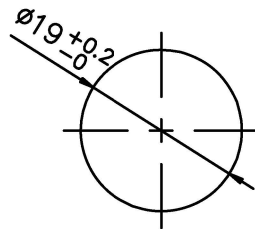
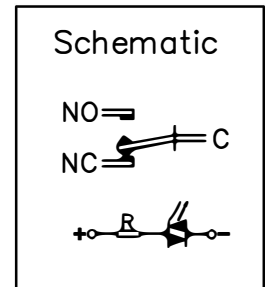
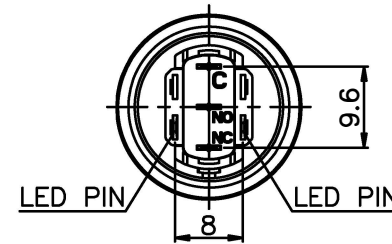
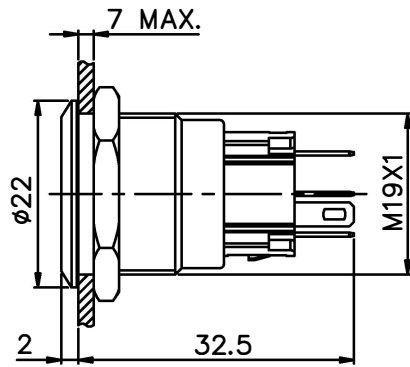
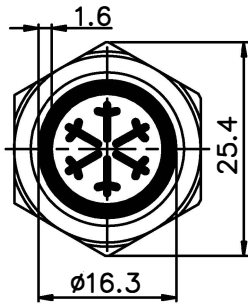
## Materials

Contact	Silver alloy
Base	PA
Body & Button	Stainless steel

**Art. Nr.**  
**RND 210-00827**

# Drawing

The shaded part is illuminated



PANEL CUTOUT



SEAL RING

Art. Nr.  
RND 210-00827