

Anti-Vandal Illuminated Pushbutton Switch



Specification

Switch Rating	AC220V /0.5A
Mechanical Life	1m cycles min
Electrical Life	50k cycles min
Contact Resistance	50 mΩ
Insulation Resistance	1 GΩ
Dielectric Strength	1500 V
Operating Temperature	- 25 °C ~ 55 °C
Operating Force	2.5 N
Operating Travel	3 mm
Torque	0.6 Nm
IP Class	IP65; IK07
Terminal Type	Pin Terminal (2.8 x 0.5 mm)
Switching Circuit	ON-ON
LED Colour	Red

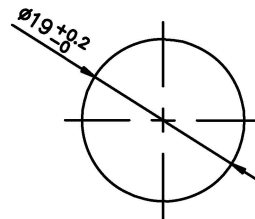
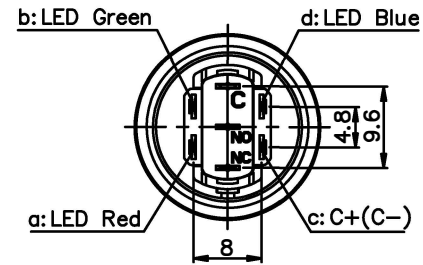
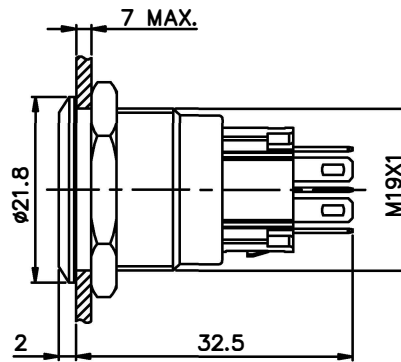
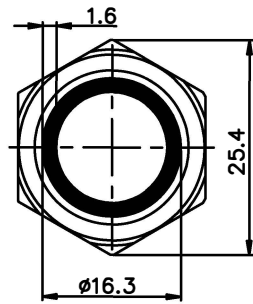
Materials

Contact	Silver alloy
Base	PA
Body & Button	Stainless steel

Art. Nr.
RND 210-00830

Drawing

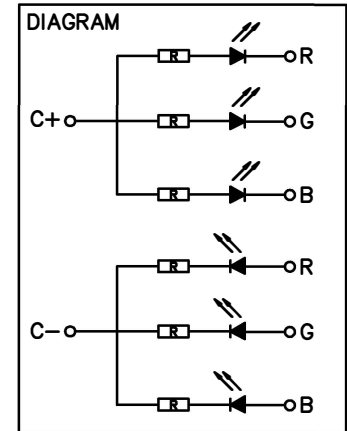
The shaded part is illuminated



PANEL CUTOUT



SEAL RING



Art. Nr.
RND 210-00830