

Specification

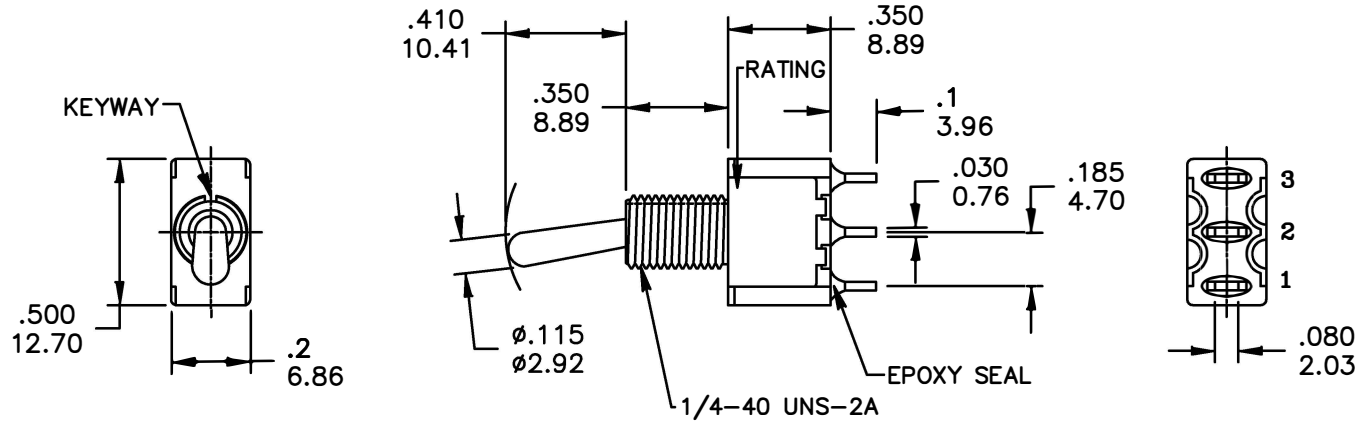
Switch Rating	5 Amps @ 120 VAC or 28 VDC; 2 Amps @ 250 VAC
Contact Resistance	10 mΩ
Insulation Resistance	1 GΩ
Dielectric Strength	1,000 V RMS @ sea level
Operating Temperature	-30 °C ~ 85 °C
Mechanical Life	40,000
Switching Circuit	(ON)-OFF-(ON)

Specification

Case	Diallyl phthalate (DAP) UL94v-0
Actuator	Brass, Chrome Plated
Bushing	Brass, Nickel Plated
House	Stainless Steel
Terminal/Contact	Silver Plated

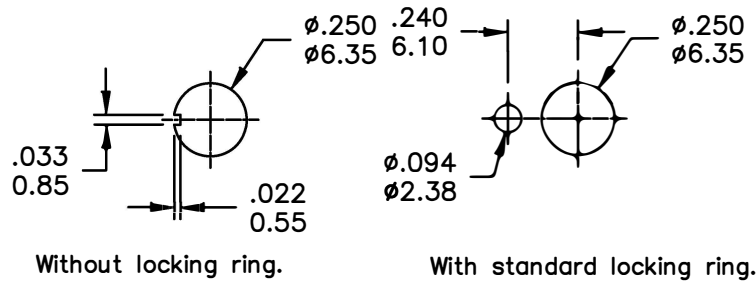
Art. Nr.
RND 210-00832

Drawing

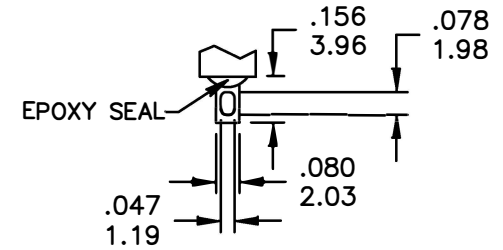


SWITCH FUNCTION

	POS.1	POS.2	POS.3
Model No.			
SP4	MOM	OFF	MOM
Term. Comm.	2-3	OPEN	2-1
SCHEMATIC		OPEN	



PANEL MOUNTING



SOLDER LUG

Art. Nr.
RND 210-00832