

# Toggle Switch



## Specification

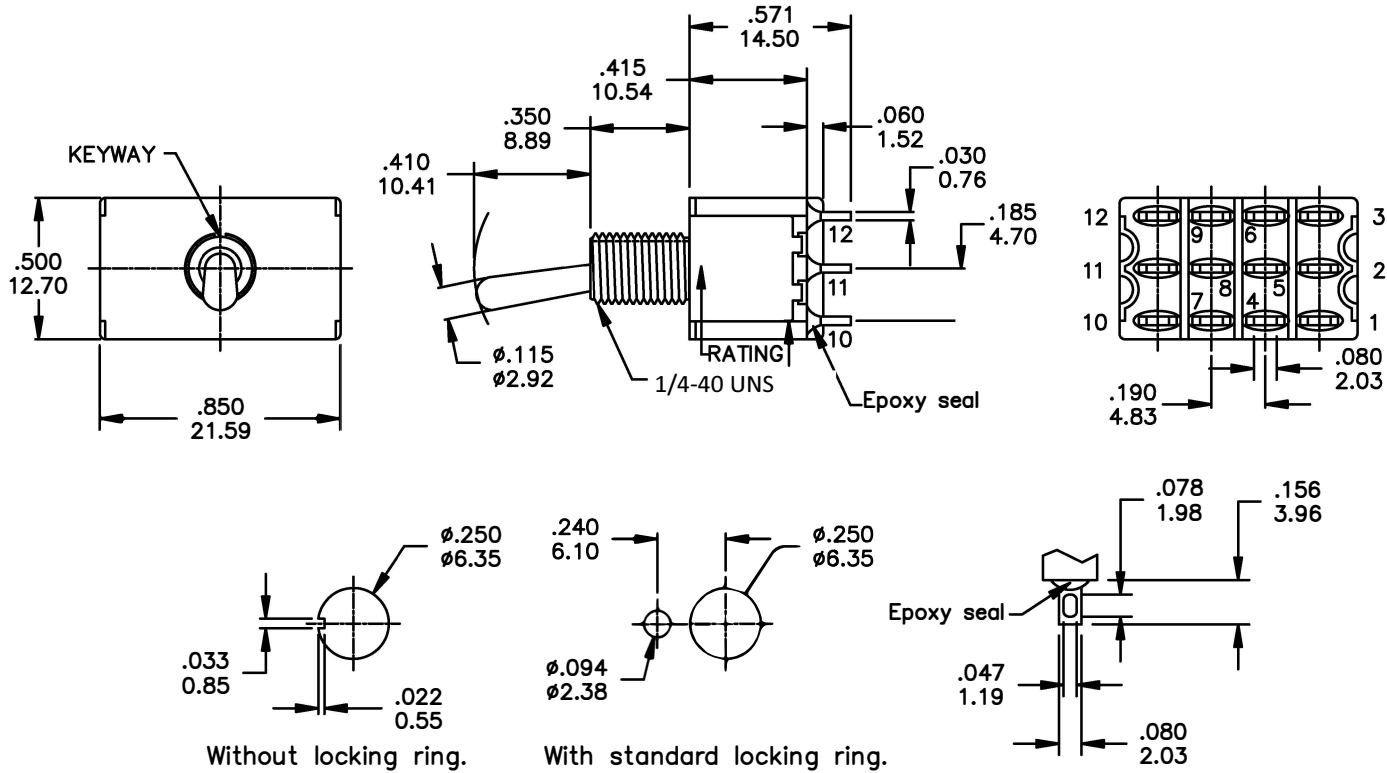
Switch Rating	5 A @ 120 VAC or 28 VDC; 2 A @ 250 VAC
Contact Resistance	10 m $\Omega$
Insulation Resistance	1 G $\Omega$
Dielectric Strength	1,000 V RMS @ sea level
Operating Temperature	-40 °C ~ 85 °C
Mechanical Life	40,000
Position	2
Bushing Thread	1/4" -40 UNS

## Material

Actuator	Brass, Chrome Plated
Bushing	Brass, Nickel Plated
House	Stainless Steel
Terminal/Contact	Silver Plated

Art. Nr.  
RND 210-00837

**Drawing**



**SWITCH FUNCTION**

	POS.1	POS.2	POS.3
4P1	ON	NONE	ON
Term. Comm.	2-3,5-6 8-9,11-12	N/A	2-1,5-4 8-7,11-10
SCHMATIC		N/A	

**PANEL MOUNTING**

**SOLDER LUG**

**HARDWARE**

	PART NAME	Q'TY
1	1/4 INCH NUTS	2
2	LOCKING RING	1
3	LOCKING WASHER	1

Art. Nr.  
RND 210-00837