

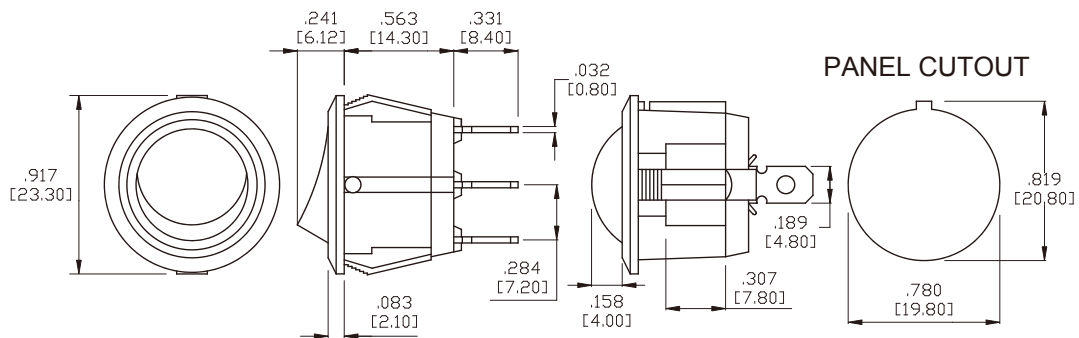
## SPECIFICATIONS:

CONTACT RATING: 10A 125VAC 6A 250VAC.  
ELECTRICAL LIFE: 20,000 cycles.  
MECHANICAL LIFE: 50,000 cycles.  
CONTACT RESISTANCE: 50m-ohms.  
INSULATION RESISTANCE: DC 500V 100M-ohms min.  
DIELECTRIC STRENGTHS: AC 1500V 1 min.

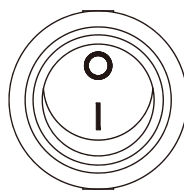
## MATERIALS:

HOUSING: 66 Nylon(UL 94V-2).  
ACTUATOR: 66 Nylon(UL 94V-2).  
MOVABLE CONTACTS: Copper, silver plated.  
STATIONARY CONTACTS: Copper, silver plated.  
TERMINALS: Copper, silver plated.  
CONTACT SPRING: Piano wire.

Art. Nr.  
RND 210-00546



## ACTUATOR



ILLUMINATED