

Power Rocker Switch

SPECIFICATIONS:

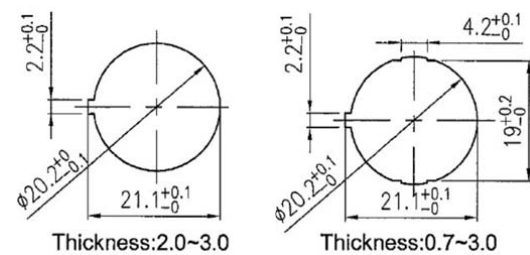
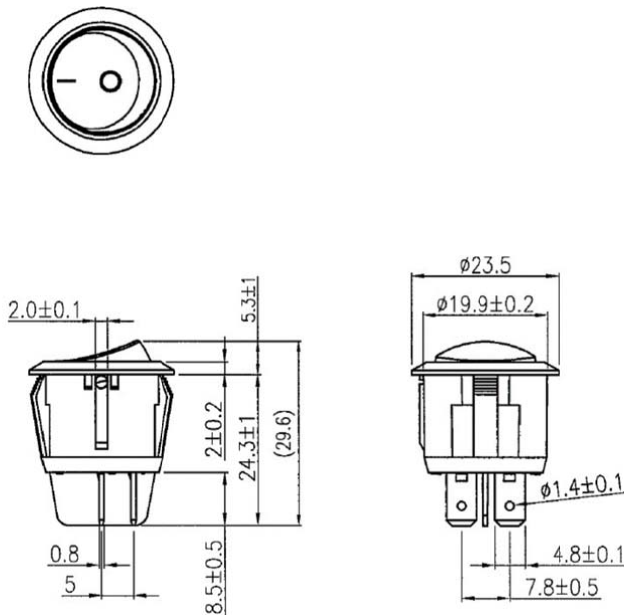
CONTACT RATING: 16A 125VAC 10A 250VAC.
CONTACT RESISTANCE: 50m-ohms.
INSULATION RESISTANCE: DC 500V 100M-ohms min.
DIELECTRIC STRENGTHS: AC 1500V 1 min.
OPERATING TEMPERATURE: -25 ... 85 °C
SWITCH FUNCTION: 4P DPST ON-OFF



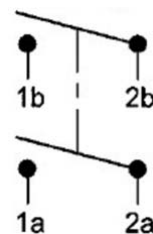
MATERIALS:

HOUSING: 66 Nylon(UL 94V-2).
ACTUATOR: 66 Nylon(UL 94V-2).
MOVABLE CONTACTS: Copper, silver plated.
STATIONARY CONTACTS: Copper, silver plated.
TERMINALS: Copper, silver plated.
CONTACT SPRING: Piano wire.

Art. Nr.
RND 210-00551



Mounting Hole



Circuit Diagram

