

Toroidal Transformer



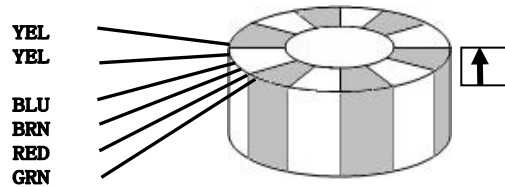
Dimension (unit:mm)

Temperature Class

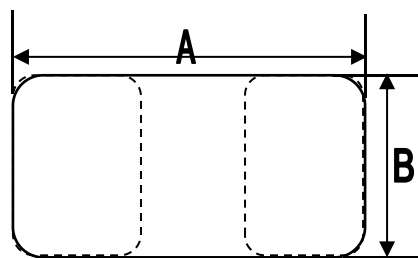
Winding Wire(Primary & Secondary) Class H(180°C)

Insulation between input and output Class B(130°C)

Connection lead insulation Class A(105°C)



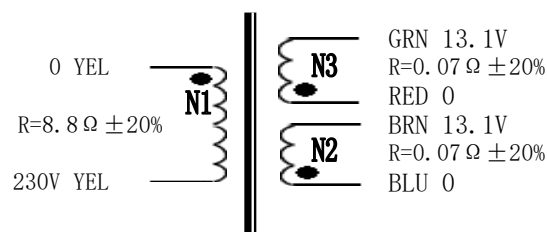
It' s wrapped by Mara & transparent tape



A (mm)	B (mm)
107 ± 3	42 ± 3

A: Excludes outgoing wire

Electrical Schematic



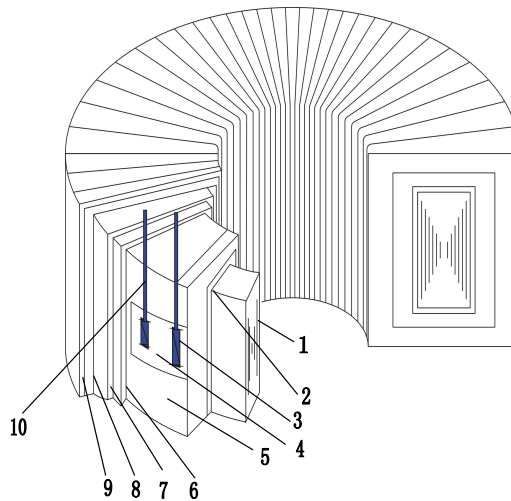
Toroidal Transformer



Electrical Characteristic

Pri. Rating Input	AC 0-230 V 50 Hz(YEL-YEL)		
Primary No-Load Current	15 mA max 230 V / 50Hz (YEL-YEL)		
Sec. Voltage	Measure Point	No Loading Voltage	Loading Voltage & Current
	GRN-RED	0-13.1 VAC ±3%	0-12 VAC±3% 8.33 A
	BRN-BLU	0-13.1 VAC ±3%	0-12 VAC±3% 8.33 A
Hi-Pot Test	PRI-SEC : AC 4.2 KV 50 Hz 5 mA MAX 60 S		
Insulation Resistance	PRI-SEC : 100 MΩ Min DC 500 V		
Temperature Rise	RATED LOAD, AMBIENT TEMPERATURE 25 °C		
Terminal Strength	2 KG along the PIN Direction 30 seconds, No Damage		

Construction Diagram



- | | |
|------------------------|-------------------------|
| 1. CORE | 6. OVER PRI. INSULATION |
| 2. PROTECTIVE TAPE | 7. SECONDARY WINDING |
| 3. INSULATION FOR CORE | 8. PROTECTIVE TAPE |
| 4. TIE-IN JACKET | 9. OVER SEC. INSULATION |
| 5. TIE-IN MAT | 10. PRI、SEC. LEAD WIRE |

Accessories

1x Spring shim, 1x Rubber mat, 1x Cover

Art. Nr.
RND 300-00009