

# Lithium Battery AA



## Features

- High and stable operating voltage
- Low self discharge rate (less than 1% after 1 year of storage at 25°C)
- Long storage life
- Stainless steel container (with low magnet)
- Widely operating temperature range
- Hermetic glass-to-metal sealing
- Non-flammable electrolyte
- CE, UL, SGS recognized, ISO9001 approved

## Applications

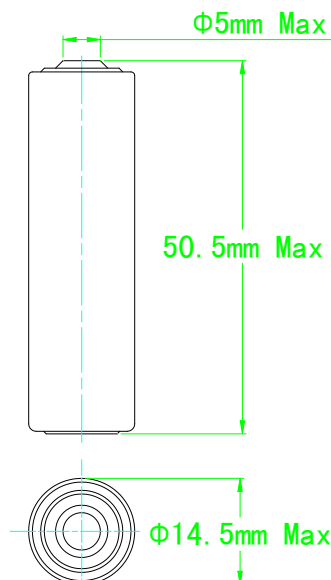
- Utility metering
- Memory back-up
- Alarms and security devices
- Tollgate systems
- Military electronics
- Automotive electronics
- Professional electronics
- GPS tracking
- Real time clock



## Specification

Nominal Capacity	2.7 Ah
Nominal Voltage	3.6 V
Max. Continuous Current	50 mA
Max. Pulse Capability	100 mA
Storage (Recommended)	30 °C max.
Operating Temperature Range	-60 .. 85 °C
Weight	Approx. 19 g

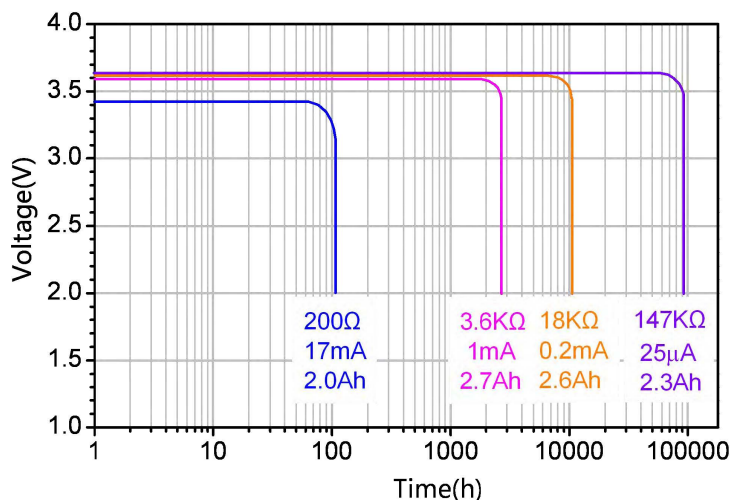
## Drawing



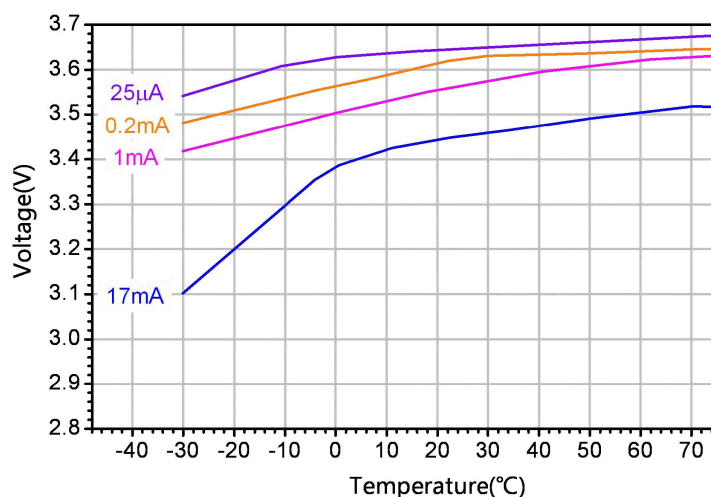
# Lithium Battery AA



## Discharge Characteristics (25 °C)



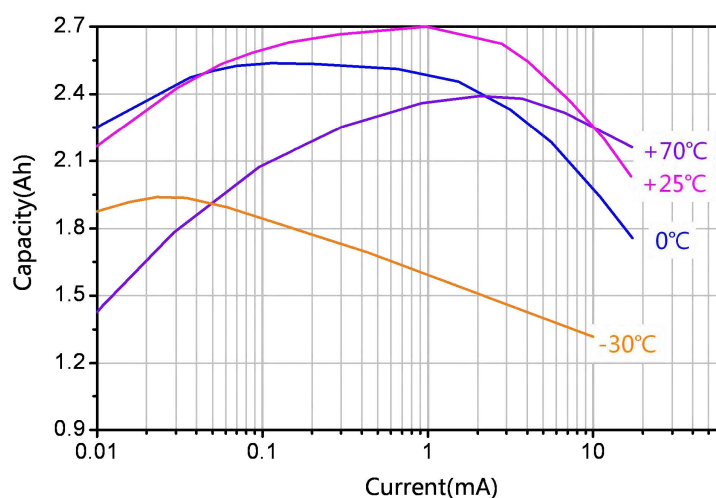
## Voltage Versus Temperature



## Warning

- It is strictly forbidden to have the battery positive and negative short circuit, charging, discharging, heating over 100 °C remove, anatomy, or may cause explosion, combustion, internal acid leakage
- Prohibit direct welding in the surface of the battery, should use in advance set with wire or lead battery
- Can not use mixed with old and new battery or mixed use different kinds battery
- Don't assemble the batteries from different manufacturers
- Do not use the battery over the temperature range
- Discharged battery should be buried deeply in the ground

## Capacity Versus Current



Art. Nr.  
RND 305-00030