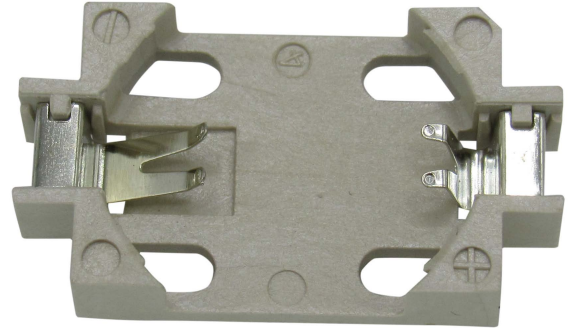


Battery Holder, CR2032

Features

- Designed for quick and easy installation and replacement of 2032 coin cell lithium batteries
- The contacts of these holders are polarized to assure proper continuity and circuit protection.
- Retains cell securely to withstand shock and vibration
- Reliable dual spring contacts assure low contact resistance
- Low Profile for densely packaged PCB's
- Compatible with vacuum and mechanical pick & place assembly systems



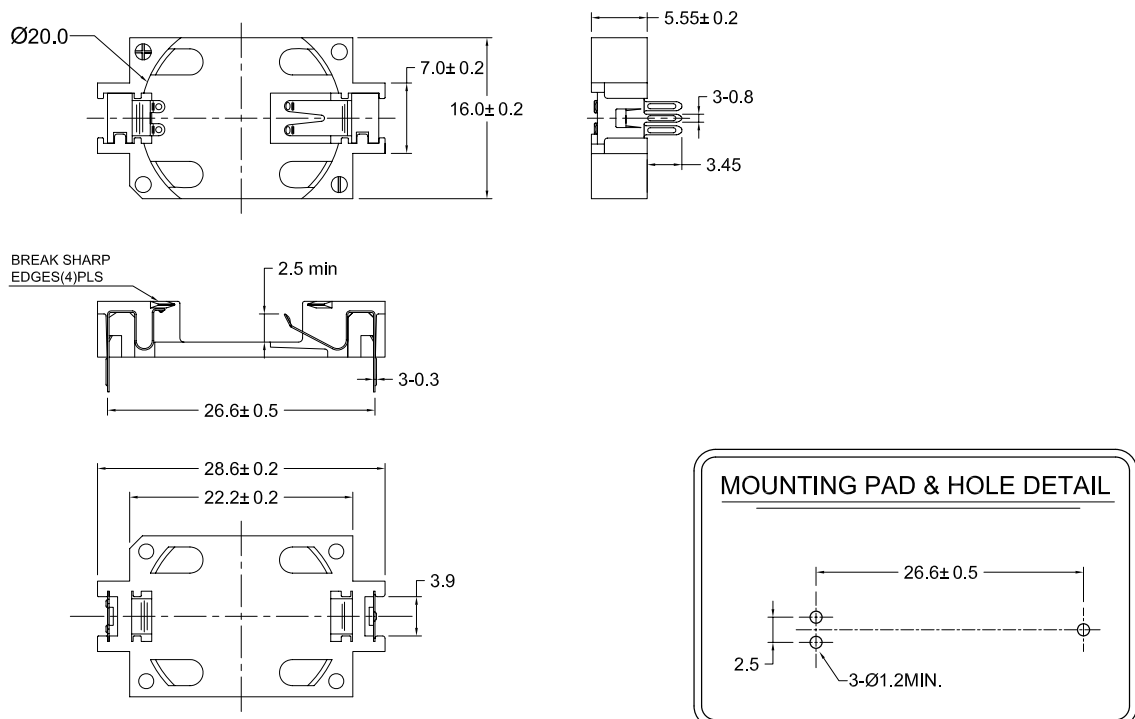
Specification

Contact Resistance	30 mOhm max.
Insulation Resistance	1 GOhm min.
Dielectric Voltage	500 VAC for 1 sec.
Operating Temperature	-50 ... 105 °C
Suitable Battery Model	CR2032

Material Specification

Housing Material	LCP
Contact Material	Phosphor Bronze
Contact Finish Material	Tin Flash over Nickel Plate

Drawing



Art Nr.
RND 305-00032