

Battery Holder, CR2430/CR2450

Applications

- Duracell, Eveready, Panasonic, Ray-O-Vac, Sanyo, Varta, Toshiba, Seiko and other major battery manufacturers
- Computer memory, power transfer and back-up systems
- Video and telecommunications power back-up
- Preprogrammed video and electronic games
- Microprocessors and microcomputer memory hold
- Notebook and laptop applications
- Emergency power systems
- Industrial and commercial security and alarm systems
- Communications power sources
- Miniaturized battery power devices



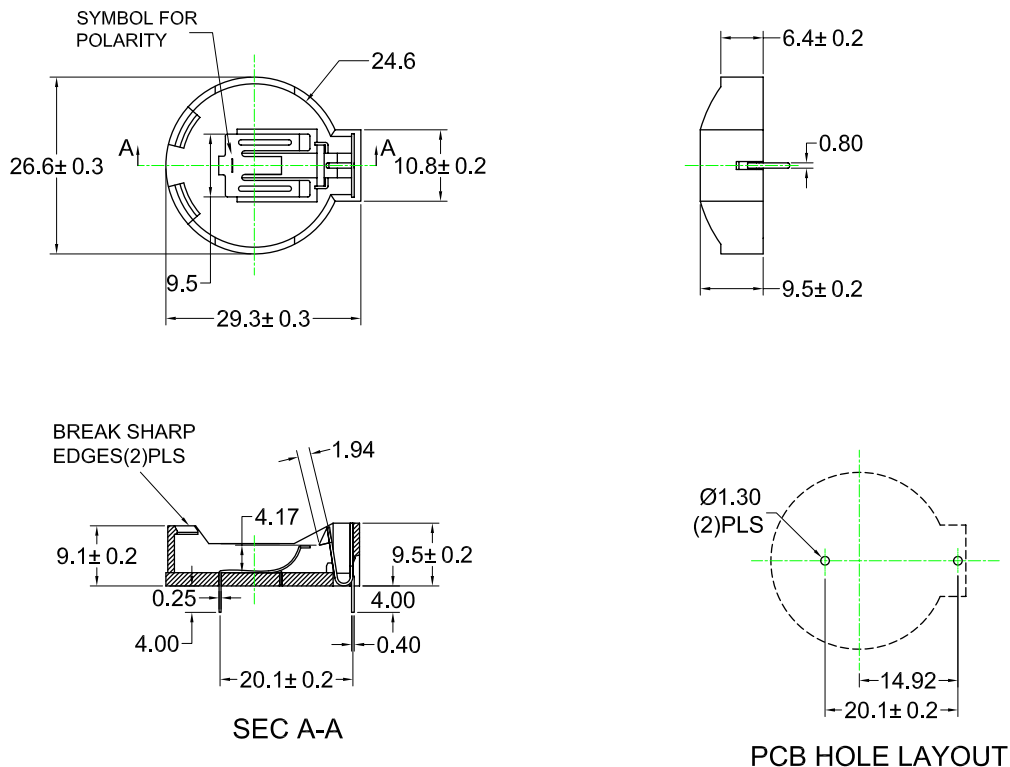
Specification

Contact Resistance	30 mOhm max.
Insulation Resistance	1 GOhm min.
Dielectric Voltage	500 VAC for 1 sec.
Operating Temperature	-50 ... 105 °C
Suitable Battery Model	CR2430/CR2450

Material Specification

Housing Material	PBT
Contact Material	Brass
Contact Finish Material	Tin Plated

Drawing



Art Nr.
RND 305-00037