

# Battery Holder, CR2032

## Applications

- Duracell, Eveready, Panasonic, Ray-O-Vac, Sanyo, Varta, Toshiba, Seiko and other major battery manufacturers
- Computer memory, power transfer and back-up systems
- Video and telecommunications power back-up
- Preprogrammed video and electronic games
- Microprocessors and microcomputer memory hold
- Notebook and laptop applications
- Emergency power systems
- Industrial and commercial security and alarm systems
- Communications power sources
- Miniaturized battery power devices

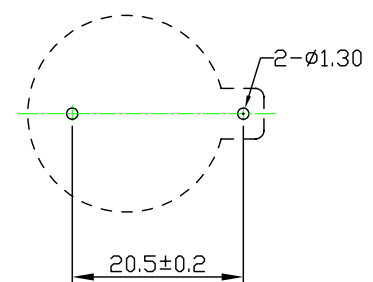
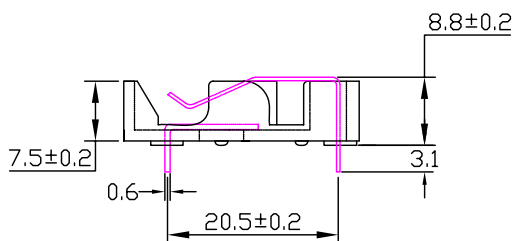
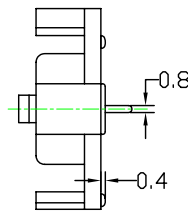
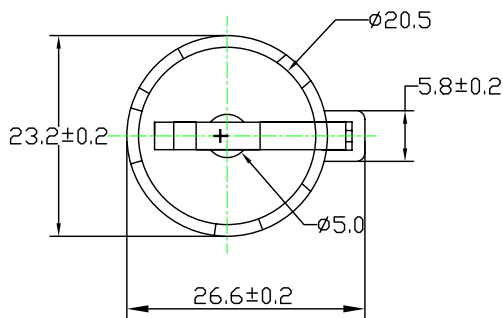
## Specification

Contact Resistance	30 mOhm max.
Insulation Resistance	1 GOhm min.
Dielectric Voltage	500 VAC for 1 sec.
Operating Temperature	-50 ... 105 °C
Suitable Battery Model	CR2032

## Material Specification

Housing Material	PA66
Contact Material	Brass
Contact Finish Material	Tin Plated

## Drawing



Art Nr.  
RND 305-00038

PCB HOLE LAYOUT