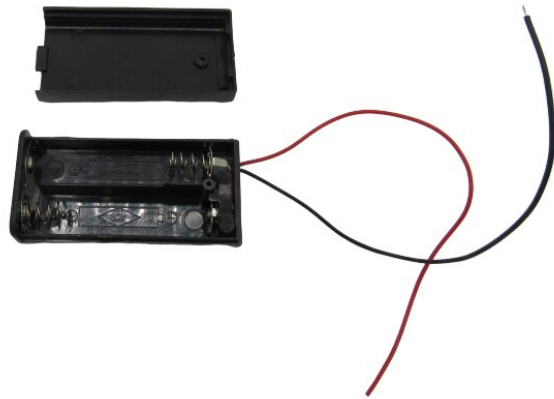


Features

- RoHS and REACH compliant
- Used to contain cells when inserted into battery compartments
- Polarity clearly marked for orientation
- Battery holder suitable for AA batteries

Applications

- Computer memory, power backup systems
- Telecommunications
- Residential, industrial and commercial security systems
- PLC and industrial controls



Specification

Number of Cells	2
Suitable for	2x AA Battery
Battery Holder Type	Compartment
Connector Connection Method	Soldering
Mounting Type	Surface Mount

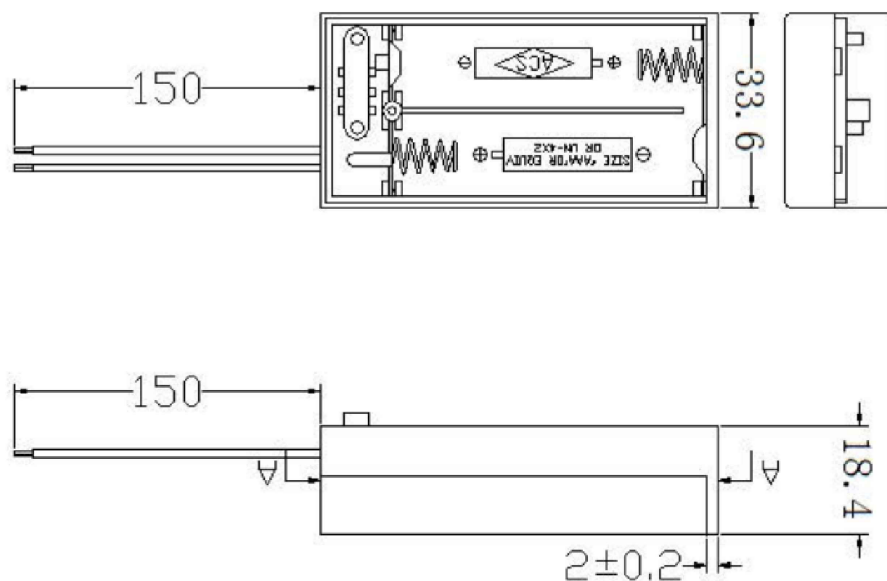
Cable Specification

Cross-Section AWG	26 AWG
Number of Cores	2
Jacket Material	PVC
Outside Diameter	1.3 * 2.6 mm
Colour	Black / Red

Material Specification

Housing Material	ABS
Contact Material	Nickel-Plated Copper

Drawing



Art Nr.
RND 305-00062