



Features

Input	Universal 100 ~ 240 Vac / 50 ~ 60 Hz input , without any slide switch
Output	12 V / 0 ~ 1.6 A
Case Dimension	75 (L) * 35.8 (W) * 65.6 (H) mm (±1mm)
Efficiency	Eff (av) ≥ 85.292 %Min.
EMI	CE / FCC Class B ; conduction & radiation
Protection	OVP (Over voltage protection), SCP (Short circuit protection) OCP (Over current protection)
High frequency design , less power consumption Suitable for usage at Telecommunication, Computer, Industrial Controller, & OA System.	

Input

Voltage	Universal 100 ~ 240 Vac , single phase
Frequency	50 ~ 60 Hz
Current	0.48 A Max.
Inrush Current	50 A Max. / 100 Vac ; 60 A Max. / 230 Vac (Cold Start At 25 °C , Full Load)
Efficiency	Eff (av) ≥ 85.292 %Min. (At 115 Vac & 230 Vac)
Power Consumption	Pi ≤ 0.1 W (at 230Vac & No Load)

$$\text{※ Eff(av)} = \frac{E1 + E2 + E3 + E4}{4}$$

E1=efficiency with 25% rated load , E2=efficiency with 50% rated load
E3=efficiency with 75% rated load , E4=efficiency with 100% rated load

Output

Voltage	+12 V \pm 5 %
Current	1.6 A Max.
Regulation	11.4 Vmin. \sim 12 V typ. \sim 12.6 V max.
Ripple & Noise	120 mVp-p Max.
Total Power	19.2 W Max.

Remark : For ripple & noise measurement , use a 20 MHz bandwidth frequency oscilloscope , and add a 0.1 μ F multilayer cap. and a low ESR electrolytic cap. (10 μ F) at output connector terminals. (at nominal line voltage , full load)

Protection

Over voltage protection (OVP)	22 V max.
Short circuit protection (SCP)	Automatic recovery after short-circuit fault being removed
Over current protection (OCP)	5 A max.

Remark : When short circuit protection or over current protection is activated , the power supply will shutdown automatically. Once the abnormal condition resulting in the failure being removed , the power supply will restart accordingly. When over voltage protection is activated , the power supply will shutdown.

Safety and EMC Requirement

Safety requirement

a. Dielectric strength : 10mA Max. Cut off current

(1)	Primary to secondary	3000 Vac for 1 minute
-----	----------------------	-----------------------

b. Insulation resistance :

(1)	Primary to secondary	10 M Ω for 500 Vdc
-----	----------------------	---------------------------

EMC requirement : CE / FCC Class B ; conduction & radiation

Leakage current : Less than 0.25 mA

Operation and Environment Performance

Temperature Range

Operating	0 °C ~ +40 °C
Storage	-20 °C ~ +80 °C

Humidity Range (non-condensing)

Operating	20% - 80 % RH
Storage	10% - 90 % RH

Cooling : By natural air

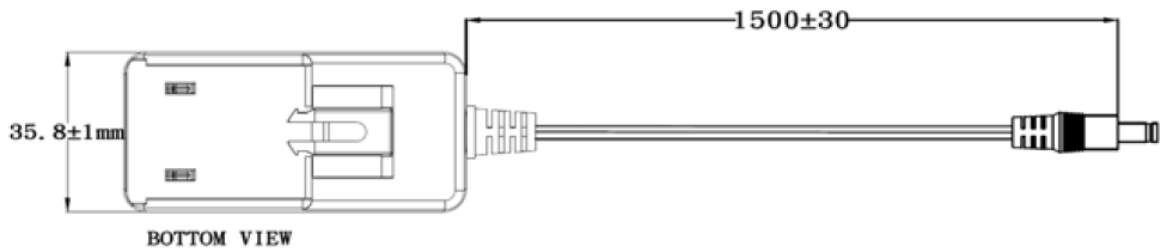
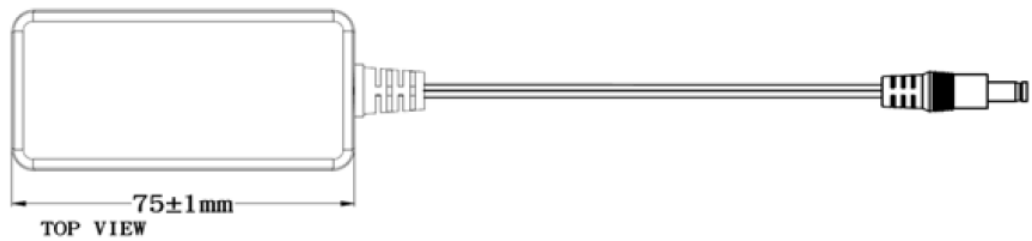
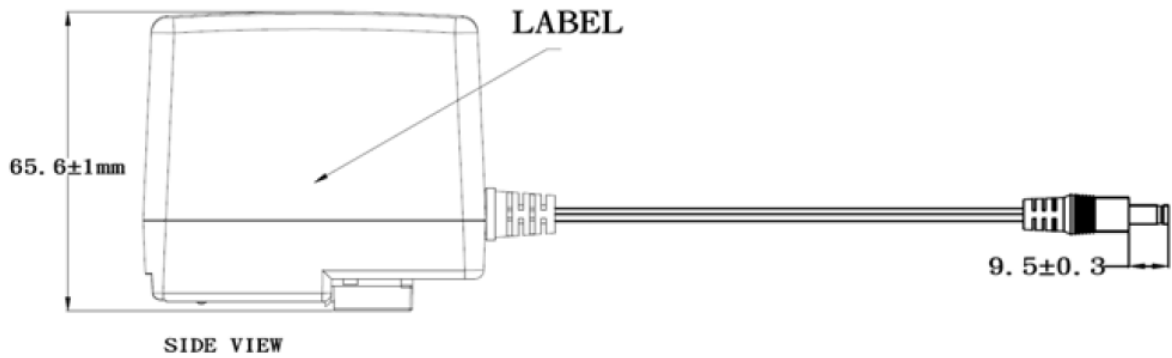
MTBF

300,000 Hrs. (calculated hours at 25°C)

Mechanical

Weight	170 g Typical
Cable Type	Black UL 2468 22 AWG (wire + plug) Plug : 5.5mm x 2.1mm x 9.5 mm (tuning fork & cannelure)
Cable Length	1500 mm
Case Dimension	75 (L) * 35.8 (W) * 65.6 (H) mm (±1mm)
Material Flammability	UL 94V-0
External Appearance	As drawing below (scale → mm)

Drawing Specifications



<input type="checkbox"/> USA	<input type="checkbox"/> Europe	<input type="checkbox"/> U.K.	<input type="checkbox"/> Australia	<input type="checkbox"/> China	<input type="checkbox"/> Korea
39.2*31.2* 26	39.2*35*45	39.2*48.6*37.5	40*55*34	39.2*31.2* 26	39.2*35*45
