

Modified Sine Wave Inverter



Features

- Energy saving mode
- Microcontroller integrated
- Compact design with aluminum housing
- LED Indicators for inverter states
- Input & output fully isolation
- Intelligent temp & load cooling fan
- Multi pre-alarm & Shutdown alarm protections
- Battery type detection / polarity reverse / low voltage short circuit / overheat / overload



System

Continuous Power	600 W
Surge Power	1.5 kW
Output Voltage	100 / 110 / 120 VAC; 220 / 230 / 240 VAC
Output Waveform	Modified Sine Wave
Output USB Port	5 VDC, 2.1 A
Standby Current (Normal)	< 500 mA
Standby Current (Saving)	30 ~ 150 mA
Output Regulation	< ±5% Intelligent AVR
Output Frequency	50 / 55 / 60 Hz Crystal Controlled
Input Voltage	DC 12 V: 10 ~ 15 V; DC 24 V: 20 ~ 30 V
Efficiency	> 85%

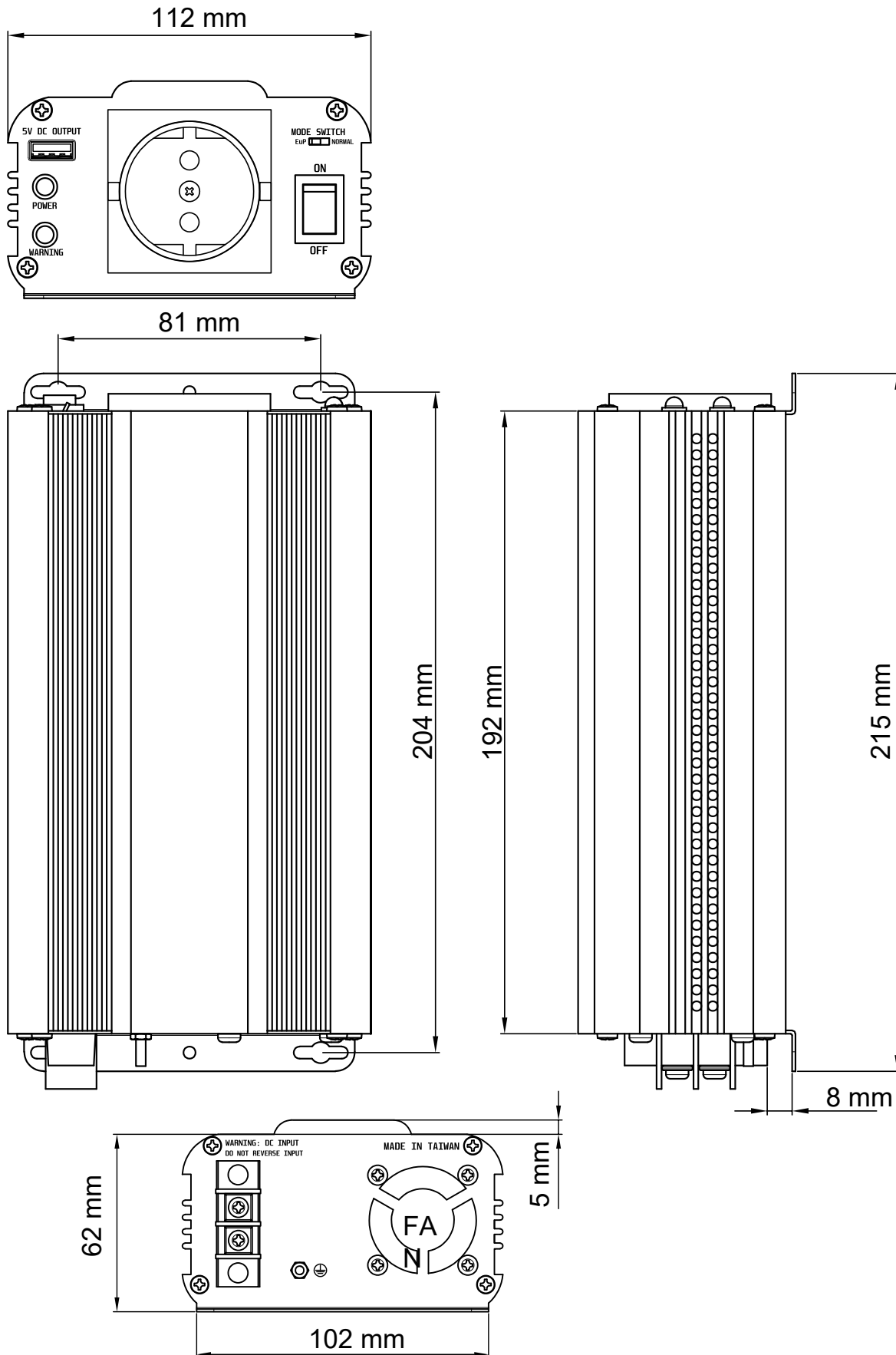
Protection

Input Type Auto-Detection	Yes
Input Polarity Reverse Prot.	Fuse
Input Low Voltage Prot.	DC 12V: < 10.5V Pre-Alarm, < 9.5V Shutdown & Alarm DC 24V: < 21V Pre-Alarm, < 20V Shutdown & Alarm
Short Circuit Prot.	Yes
Overheat	> 60°C Pre-Alarm, > 65°C Shutdown & Alarm
Overload (Pre-Alarm)	> 600 W
Overload (Auto-off & Alarm)	> 680 W
Cooling	Intelligent Fan

Mechanical

Fuse	DC 12 V - 25 A x 3 pcs DC 24 V - 15 A x 3 pcs
Dimension	215 x 113 x 62 mm
Net Weight	1.5 kg

Modified Sine Wave Inverter



Art. Nr.
RND 320-00133