

# Pure Sine Wave DC / AC Inverter



## Features

- Smart display & quick charge 3.0 USB
- Adjustable settings by display button
- Pure sine wave output
- Microcontroller integrated
- Energy saving mode & intelligent fan control
- Input & output fully isolation
- Multi pre alarm & shutdown alarm protections: battery type detection / polarity reverse / low voltage / short circuit / overheat / overload
- Aluminum housing



## System

Continuous Power Surge	1 kW
Power	2 kW
Output Voltage	220 / 230 / 240 VAC
Output Waveform	Pure Sine Wave
Total Harmonic Distortion	< 3%
Output USB Port	Quick Charge 3.0 x 2 Ports
Standby Current (Normal)	DC 12 V - < 1 A DC 24 V - < 800 mA
Standby Current (Saving)	< 150 mA
Output Regulation	< 5% Intelligent PWM
Output Frequency	50 / 60 Hz
Input Voltage	DC 12 V: 10 ~ 15 V; DC 24 V: 20 ~ 30 V
Efficiency	> 85%

## Protection

Input Type Auto-Detection	Yes
Input Polarity Reverse Prot.	Fuse
Input Low Voltage Prot.	DC 12 V: < 10.5 V Pre Alarm, < 10 V Auto off & Alarm DC 24 V: < 21.0 V Pre Alarm, < 20 V Auto off & Alarm
Short Circuit Prot.	Yes
Overheat	> 80 °C Pre Alarm, Alarm, > 90 °C Auto off & Alarm
Overload (Pre-Alarm)	> 110%
Overload (Auto-off & Alarm)	> 120%
Cooling	Intelligent Fan / Force Cooling

## Mechanical

Fuse	DC 12 V - 25 A x 6 pcs DC 24 V - 20 A x 6 pcs
Dimension	360 x 227 x 88 mm
Net Weight	3.6 kg

## Accessories

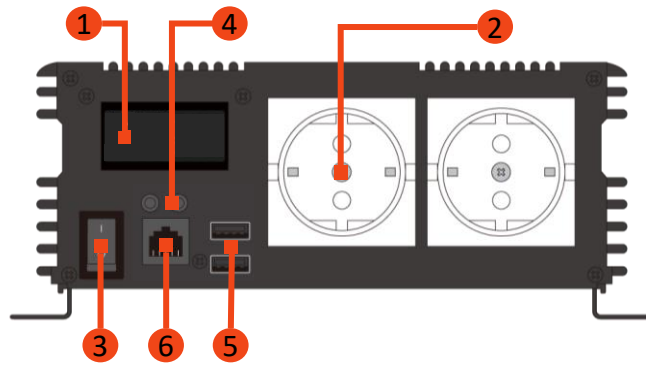


RND 320-00136  
Remote Control

# Pure Sine Wave DC / AC Inverter

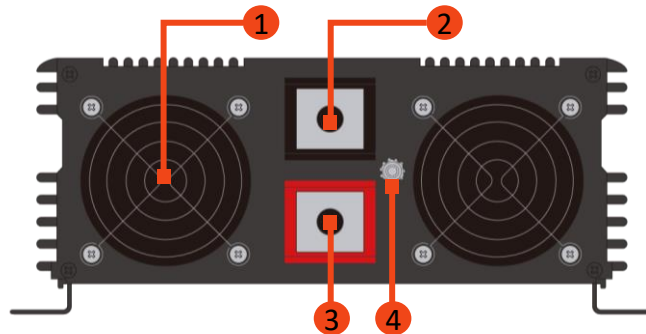
## ■ Front Panel

- ① 8x2 Display
- ② AC Output
- ③ Main Switch
- ④ Display Select Button
- ⑤ USB Port
- ⑥ Remote Port

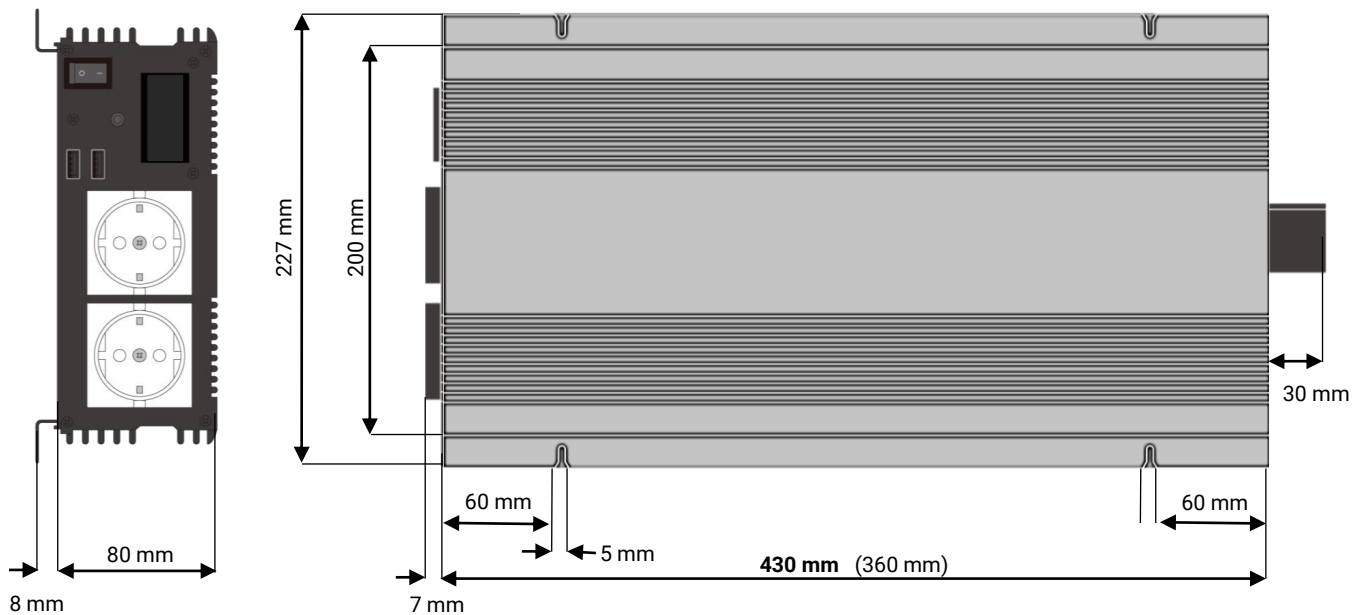


## ■ Rear Panel

- ① Fan
- ② Negative Terminal
- ③ Positive Terminal
- ④ Ground Terminal



## Mechanical Drawing



# Pure Sine Wave DC / AC Inverter



■ 8x2 Smart Display    : Display Button

