

# USB Multi Head



## Features:

- USB A Socket
- UK, EU & US Switchable AC Heads
- Energy Efficiency Level VI
- Protections: Short circuit & Over current
- Universal Input 90 – 264VAC
- Approvals: CE, UKCA



Part #	RND 500-00148	RND 500-00149
<b>Output Specifications</b>		
Output Voltage	5vdc	5vdc
Output Regulation	±5%	
Output Current	1A	2A
Rated Power	5W	10W
Ripple & Noise	300mVp-p Max	300mVp-p Max
Output Connector	USB A Socket	
<b>Input Specifications</b>		
Input Voltage	90-264VAC	
Frequency Range	50-60Hz	
Standby Power	0.075W Max	
Leakage Current	0.25A Max	
Input Current	0.3A Max	0.3A Max
Inrush Current	40A Max	
Input Connector	UK,EU & US AC Heads	
<b>Environment</b>		
Operating Temp	-0°C-40°C	
Cooling	Convection	
Temperature Coefficient	-0.05%/°C	
Humidity	5~95%RH (non-condensing)	
Storage Temp	-20°C+60°C	

**Art. Nr. 303-67-903 & 303-67-904**  
**RND 320-00148 & RND 320-00149**

## EMC

EMC Emissions

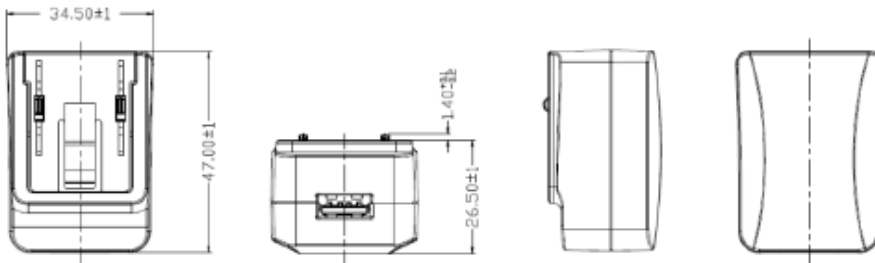
EN55032, FCC Part 15 Class B

## Other Specifications

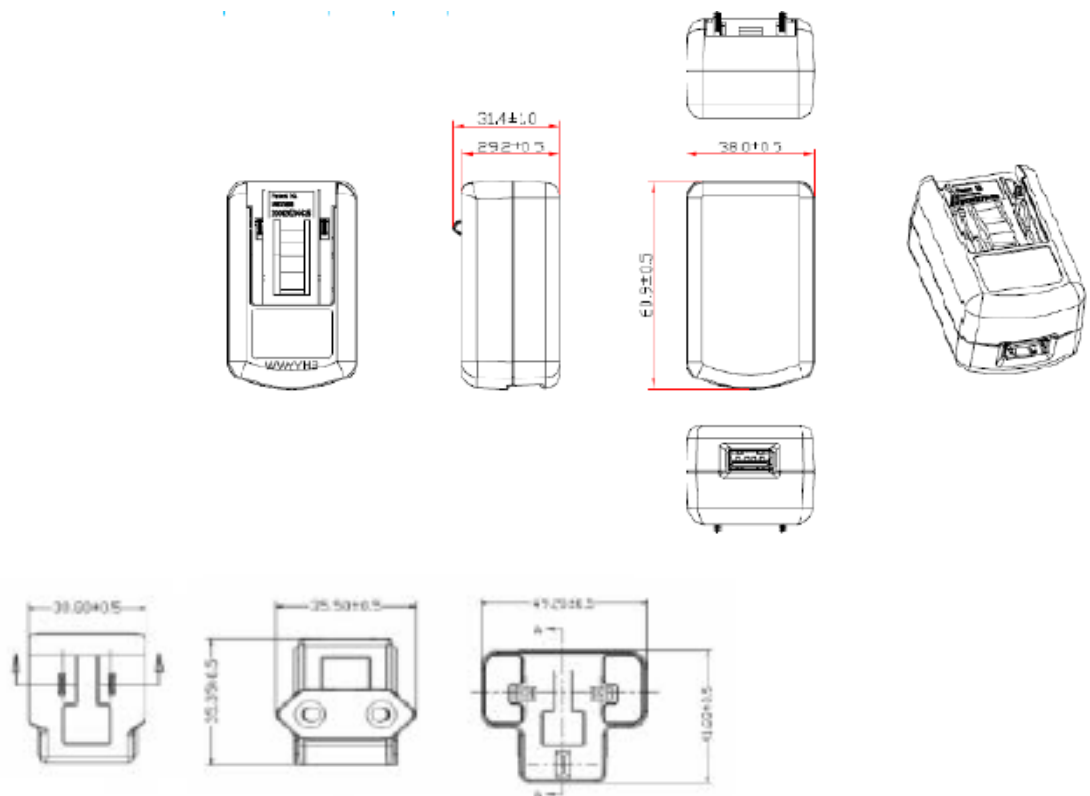
Size Dimensions	47.3 x 37.8 x 26.7mm	61.9 x 39 x 32.4 mm
Carton Quantity	120	120
Weight	0.026Kg	0.053Kg

## Mechanical Specifications

### RND 500-00148



### RND 500-00149



Art. Nr. 303-67-903 & 303-67-904  
RND 320-00148 & RND 320-00149