

# 5 Watt USB Plug Top

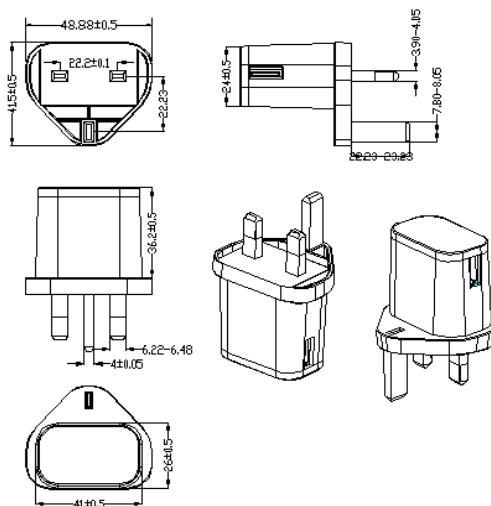


## Features :

- UK Plug Top
- DOE Level VI Efficiency
- Overcurrent Protection
- Short Circuit Protection
- RoHs Compliant
- 1 Year Warranty
- EN62368 Approved

| Article #               | RND 320-00150           |                         |
|-------------------------|-------------------------|-------------------------|
| <b>Output</b>           | DC Voltage              | 5vdc                    |
|                         | Rated Current           | 1amp                    |
|                         | Current Range           | 0-1amp                  |
|                         | Rated Power             | 5 Watt                  |
|                         | Ripple & Noise          | 200mVp-p max            |
|                         | Output Regulation       | ±5%                     |
|                         | Output Connector        | USB A Socket            |
| <b>Input</b>            | Voltage Range           | 90-264vac               |
|                         | Frequency Range         | 47-63Hz                 |
|                         | Input Current           | 0.3amp Max              |
|                         | Energy Consumption      | <0.1W Max               |
|                         | Inrush Current          | 40mA Max                |
|                         | Input Connector         | UK                      |
|                         | Operating Temp          | 0°C~40°C                |
| <b>Environment</b>      | Cooling                 | Convection              |
|                         | Temperature Coefficient | 0.05%/°C                |
|                         | Humidity                | 5~95%RH(non-condensing) |
| <b>Safety &amp; EMC</b> | Storage Temp            | -20°C~+80°C             |
|                         | Safety Standards        | UKCA/CE EN62368-1       |
|                         | EMC Emissions           | CE EN55032, EN61000-3-2 |

## Mechanical Specification



Art. Nr. 303-67-905  
RND 320-00150