

# 5vdc 3amp Multi Head USB Type C Power Supply



## Features :

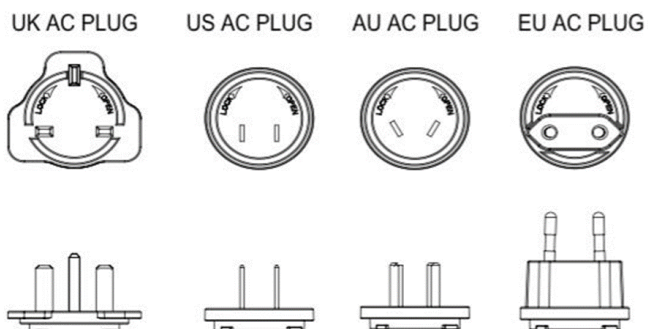
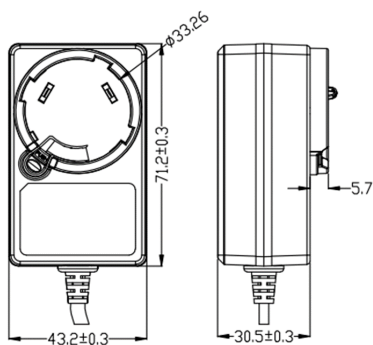
- Interchangeable AC Heads
- DOE Level VI Efficiency
- USB Type C Connector
- Overcurrent Protection
- Short Circuit Protection
- RoHs Compliant
- 1 Year Warranty
- EN62368 Approved

Part #

RND 320-00156

<b>Output</b>	DC Voltage	5vdc
	Rated Current	3amp
	Current Range	0-3amp
	Rated Power	15 Watt
	Ripple & Noise	240mVp-p max
	Output Regulation	±5%
	Output Connector	USB Type C
<b>Input</b>	Voltage Range	90-264vac
	Frequency Range	47-63Hz
	Input Current	1.2amp Max
	Inrush Current	40amp Max
	Standby Power	0.1W Max
	Leakage Current	0.25amp Max
	Input Connector	UK, EU, US & AUS AC Heads
<b>Environment</b>	Operating Temp	0°C~40°C
	Cooling	Convection
	Temperature Coefficient	0.05%/°C
	Humidity	5~95%RH(non-condensing)
	Storage Temp	-20°C~+80°C
<b>Safety &amp; EMC</b>	Safety Standards	UL/CUL 62368-1, GS/TUV EN62368-1, SAA AS/NZ62368-1
	EMC Emissions	EN55032,EN55035, FCC Part 15 Class B

## Mechanical Specification



Art. Nr. 303-67-911

RND 320-00156