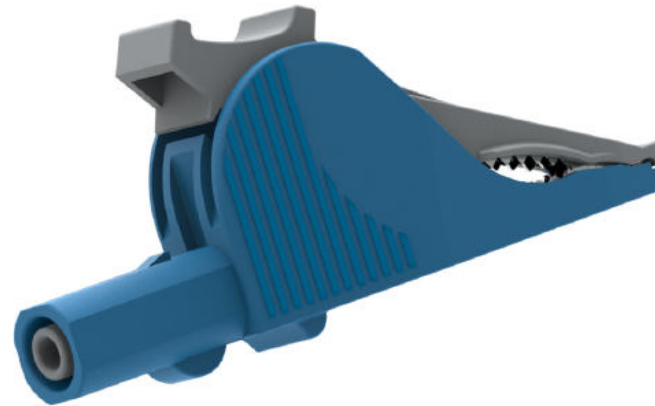


Alligator Clip w/ 4 mm Banana (female) Jack (socket)

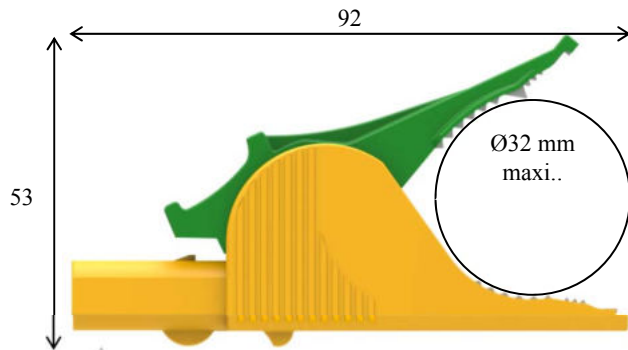
Applications : to grasp conductive parts safely. General purpose electric and electronic testing, controlling, and measuring.



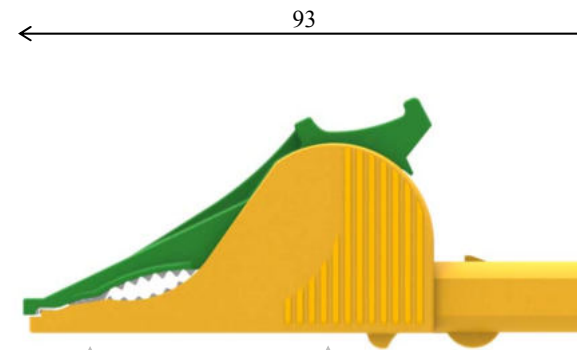
Optimum jaw design including "fangs" and almond-shaped profile to clench well a lot of various items as bar, wire, screw, PCB pin, ...



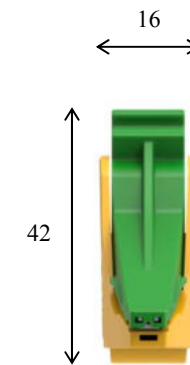
IP2X touchproof protection on the jaws when closed and the 4 mm banana female connection to prevent accidental contact.



The 4 mm banana female connection complies with the 4 mm banana plugs of the worldwide most famous manufacturers.



(Bottom) European Union marking.



(Bottom) Voltage and current markings.

Alligator Clip w/ 4 mm Banana (female) Jack (socket)



Specification

Electrical protection	1000 V CAT II / 1000 V CAT III / 600 V CAT IV, reinforced insulation, pollution degree 1 or 2, up to 36 A
Operating Temperature Range	-20 °C...+80 °C
Width	16 mm
Height	53 mm
Length	93 mm

RND Part Nr.	Colour
RND 350-00043	Black
RND 350-00044	Red