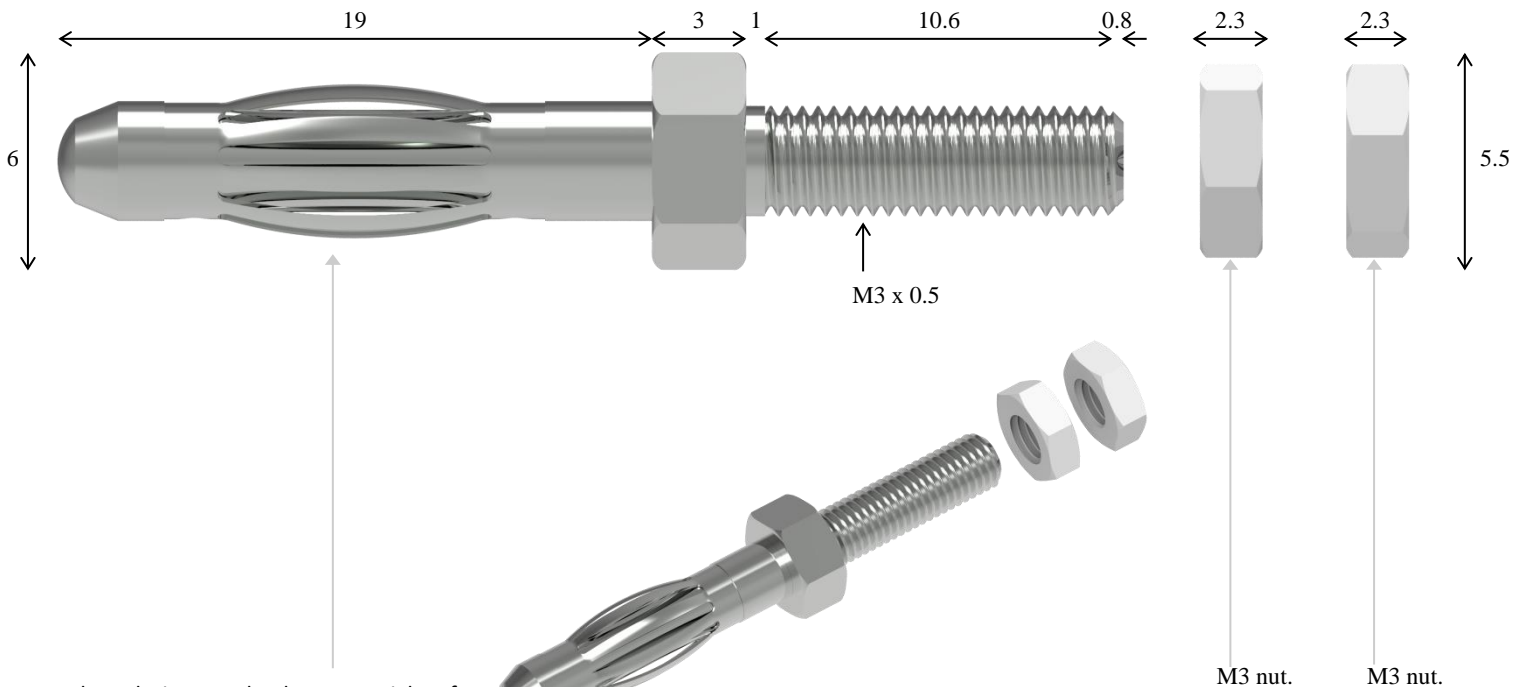


4 mm Banana (male) Plug to M3 Threaded Stud Adapter w/ 2 Hex Nuts



Specification

Electrical protection	30 V AC/ 60V DC, 36 A @ 40 °C
Operating Temperature	-20 ... 130 °C
Conductor Material	Brass
Conformity	European Directive "RoHS" 2011/65/EU. European Directive 2015/863/EU European regulation n°1907 / 2006 "REACH" European regulation 2017 / 821 "Conflict minerals"
Environment	"RoHS" compliant, Pb ≤ 4 % in conductor, Pb ≤ 0.1 % in insulator, Hg ≤ 0.1 %, Cr VI ≤ 0.1 %, Cd ≤ 0.01 %, PBB ≤ 0.1 %, and PBDE ≤ 0.1 %. "REACH" compliant, no substances from the candidate list of SVHC for authorisation at mass concentrations greater than 0.1 %.



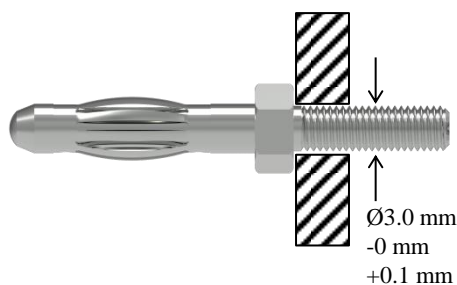
The design and the material of the lantern contact spring meet the need of low resistance and reliability.

How to Implement

The M3 x 0.5 thread complies with $\varnothing 3.0 \text{ mm } -0 \text{ mm } +0.1 \text{ mm}$ holes.

With a spanner SW6 mm I screw and tighten the M3 nuts on the M3x0.5 thread to hold ring lug for example. (2.3 N.m maxi. torque.)

(With a spanner SW6 mm I can screw and tighten the adapter into a M3 threaded hole also. 2.3 N.m maxi. torque.)



RND Part Nr.
RND 350-00049