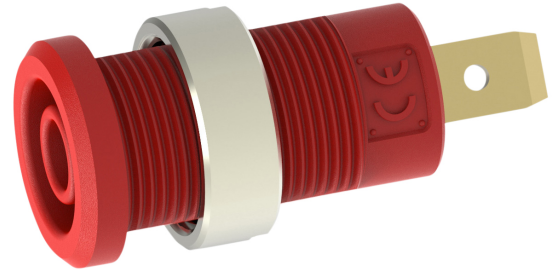


4 mm Banana (female) Jack (socket) w/ 4 mm (male) Faston Terminal



Features

IP2X touchproof protection and double port



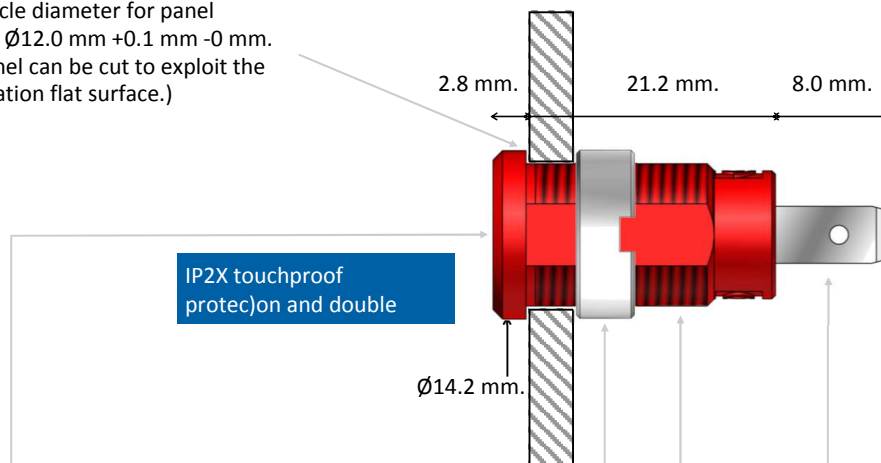
Applications

The safety design of this socket allows it to integrate easily the building of electrical equipments

Specification

Electrical protection	1000 V CAT II / 1000 V CAT III / 600 V CAT IV, reinforced insulation, pollution degree 1 or 2, up to 36 A
Operating Temperature Range	-20 °C...+80 °C
Conductor Material	Brass
Weight	6 g
Colour	Red

Pitch circle diameter for panel drilling : $\varnothing 12.0 \text{ mm} +0.1 \text{ mm} -0 \text{ mm}$.
(The panel can be cut to exploit the anti-rotation flat surface.)



The 4 mm banana female connection complies with the 4 mm banana plugs of most of the worldwide most famous manufacturers and meets the requirements of interchangeability dimensions of the French standard NF C 93-440:1986.

Plastic panel maximum thickness : 10.0 mm.

Fastening :
 • If hexagonal nut. Screwing by 14 mm open-end wrench. Tightening torque, $\leq 2.3 \text{ N.m}$.
 • If round nut. Tightening torque, $\leq 2.3 \text{ N.m}$.

Flat surface for anti-rotation purpose (if needed).

Terminal : complying with 4.8 mm female Faston (and complying with lead-free tin soldering and 150 Watts maximum soldering iron).

RND Part Nr.

RND 350-00059