

# Test Lead Kit 2 PCS



## Kit Includes

2x 4mm stackable banana plug test lead (black & red)

## Applications

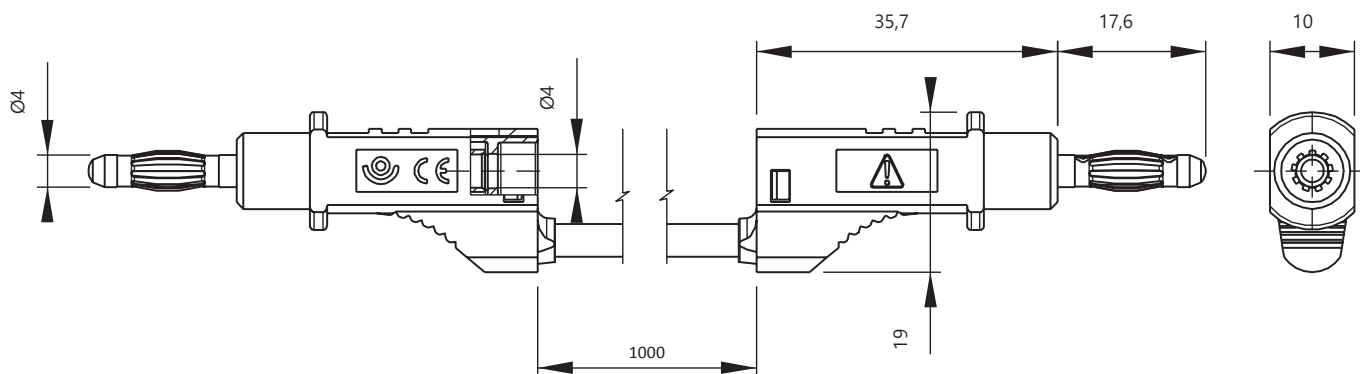
To connect to 4 mm banana jacks, sockets and binding posts  
Very low voltage general purpose electric testing, controlling and measuring



## Specification

Electrical protection	30V AC / 60V DC , 12 A
Operating Temperature Range	-20 °C...+80 °C
Cable Material	PVC
Cross-Section	0.75 mm <sup>2</sup>
Cable Length	1 m

## Drawing



**RND Part Nr.**  
RND 350-00078