

# Horizontal Level Sensor

## Features

- Polypropylene housing
- Assembly from outside
- FDA test passed
- Mains voltage variant

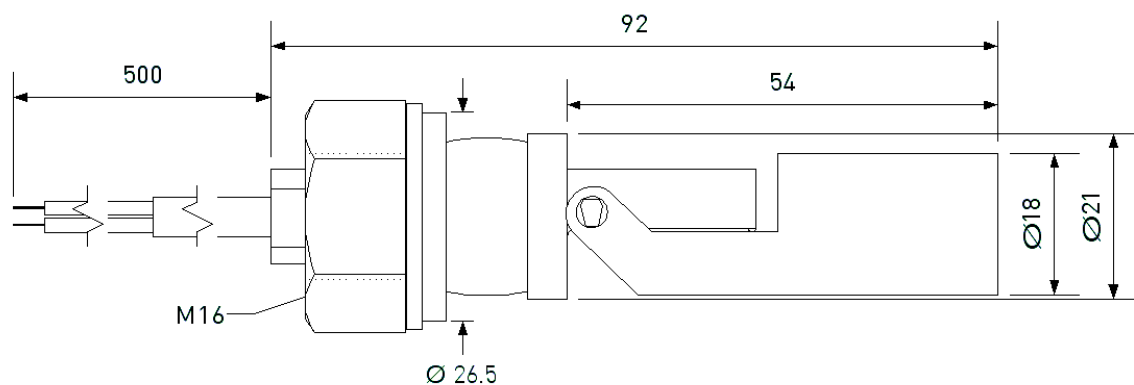


## Specification @ 25 °C

Output Type	Make Contact (NO)
Contact Rating max.	50 W
Switching Voltage max.	250 VAC / 200 VDC
Switching Current max.	1.5 A
Carry Current max.	2 A
Breakdown Voltage min.	400 VDC
Total Resistance max.	200 mΩ
Operating Temperature	-20 ... 65 °C
Storage Temperature	-20 ... 65 °C
Density of Float typ.*	0.7 g/cm <sup>3</sup>
Recommended Minimum Gravity of Medium	Density of Float + 20% g/cm <sup>3</sup>

\* in delivery condition

## Drawing

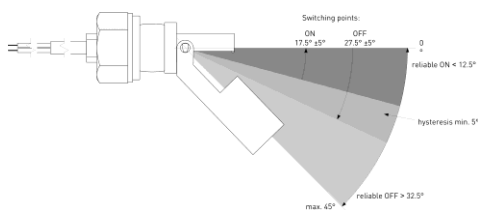


# Horizontal Level Sensor

## Material Specification

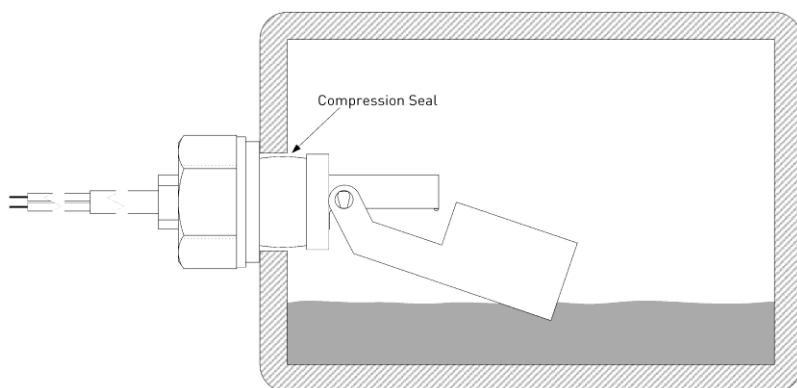
Housing	PP, Black
Cable	UL 2464, AWG 22, 20 mm
Nut	PP, M 16 x 12 mm
Float	PP
Potting Compound	Epoxy, Black
Sealing Ring	EPDM
Washer	PPID 16.5 x OD 28.7 x H2.0 mm

## Operation View



When mounted near ferromagnetic parts switching distance of RND 410-00053 may vary  
Electromagnetical influences and magnetic fields may change the switching behaviour of the Level Sensor.

## Mounting



When mounted stem up, operating functions are reversed

Art Nr.  
RND 410-00053