

# Pneumatic Fittings



## Features

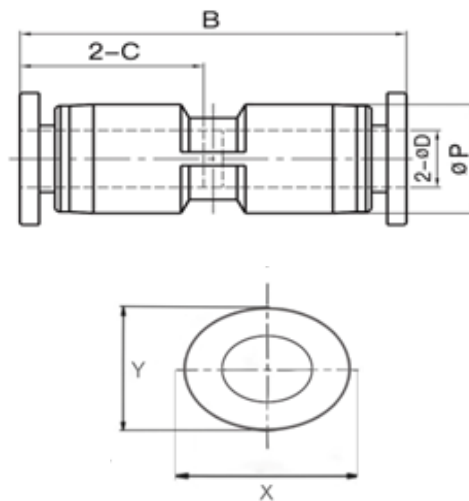
- One-Touch tube fittings are used in pneumatics piping
- The tube fittings come in a wide variety of models to meet all your needs in pneumatics piping
- Even after installation, the direction of the tube can be changed freely
- Ensures Anti-Corrosion and Anti-Contamination



## Specification

Medium	Air, Vacuum
Operating Pressure	0-1.0 Mpa
Max Pressure	1.5 Mpa
Operating Temperature	5-60 °C
Body Material	Polybutylene Terephthalate (PBT)

## Product Range & Drawing



Part Number	øD (mm)	B (mm)	X (mm)	Y (mm)	C (mm)
RND 425-00091	6	34.5	13.8	12.5	14.5
RND 425-00092	8	37.6	15.8	13.9	17.1
RND 425-00093	10	44.5	19.4	17	18.6
RND 425-00094	12	43.5	21.7	20	21