

# Pneumatic Fittings



## Features

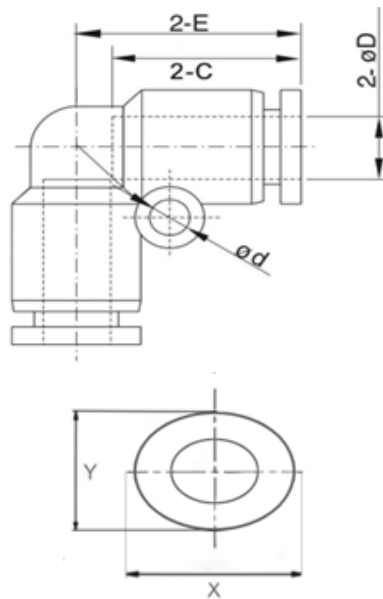
- One-Touch tube fittings are used in pneumatics piping
- The tube fittings come in a wide variety of models to meet all your needs in pneumatics piping
- Even after installation, the direction of the tube can be changed freely
- Ensures Anti-Corrosion and Anti-Contamination



## Specification

Medium	Air, Vacuum
Operating Pressure	0-1.0 Mpa
Max Pressure	1.5 Mpa
Operating Temperature	5-60 °C
Body Material	Polybutylene Terephthalate (PBT)

## Product Range & Drawing



Part Number	øD (mm)	Ød (mm)	E (mm)	X (mm)	Y (mm)	C (mm)
RND 425-00095	6	3.2	18	13.8	12.5	14.5
RND 425-00096	8	3.3	22.2	15.8	13.9	17.3
RND 425-00097	10	4.3	23.5	19.4	17	18.6
RND 425-00098	12	4	28	21.7	20	21.2