

Features

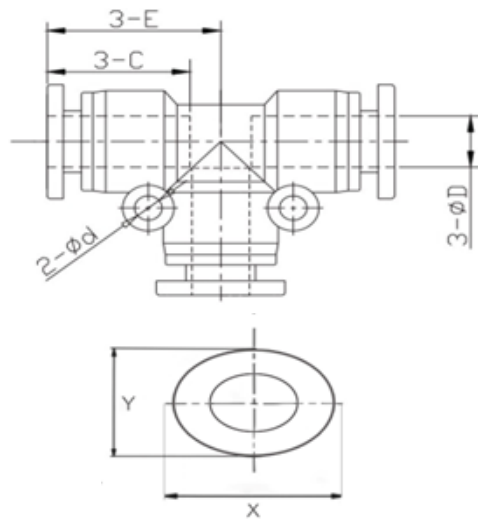
- One-Touch tube fittings are used in pneumatics piping
- The tube fittings come in a wide variety of models to meet all your needs in pneumatics piping
- Even after installation, the direction of the tube can be changed freely
- Ensures Anti-Corrosion and Anti-Contamination



Specification

Medium	Air, Vacuum
Operating Pressure	0-1.0 Mpa
Max Pressure	1.5 Mpa
Operating Temperature	5-60 °C
Body Material	Polybutylene Terephthalate (PBT)

Product Range & Drawing



Part Number	ϕD (mm)	ϕd (mm)	E (mm)	X (mm)	Y (mm)	C (mm)
RND 425-00099	6	3.3	18.5	13.8	12.5	14.3
RND 425-00100	8	3.6	21.5	15.8	13.9	17
RND 425-00101	10	4.5	23.5	19.4	17	18.5
RND 425-00102	12	4.1	28	21.7	20	21