

Features

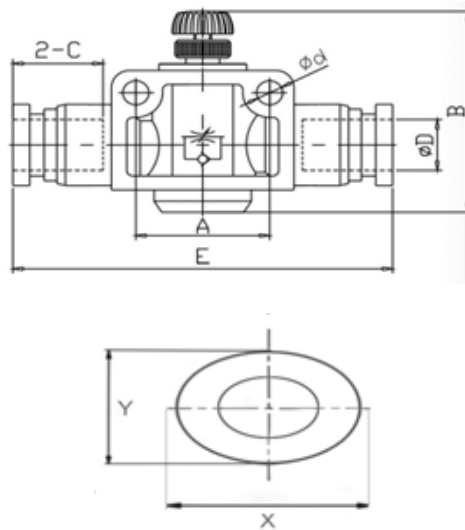
- One-Touch tube fittings are used in pneumatics piping
- The tube fittings come in a wide variety of models to meet all your needs in pneumatics piping
- Even after installation, the direction of the tube can be changed freely
- Ensures Anti-Corrosion and Anti-Contamination



Specification

Medium	Air, Vacuum
Operating Pressure	0-1.0 Mpa
Max Pressure	1.5 Mpa
Operating Temperature	5-60 °C
Body Material	Polybutylene terephthalate (PBT)

Product Range & Drawing



Part Number	øD (mm)	Ød (mm)	A (mm)	B (mm)		E (mm)	C (mm)	X (mm)	Y (mm)
				min	max				
RND 425-00111	6	4.4	19.5	38	45	45.5	15	13.8	12.5
RND 425-00112	8	4.4	22	44	47.3	52	16.8	15.8	13.9
RND 425-00113	10	4.4	26	47.5	53	58	19.3	19.4	17
RND 425-00114	12	4.4	32	56	60	73.2	22.3	21.7	20